

ADS127A



FEATURES

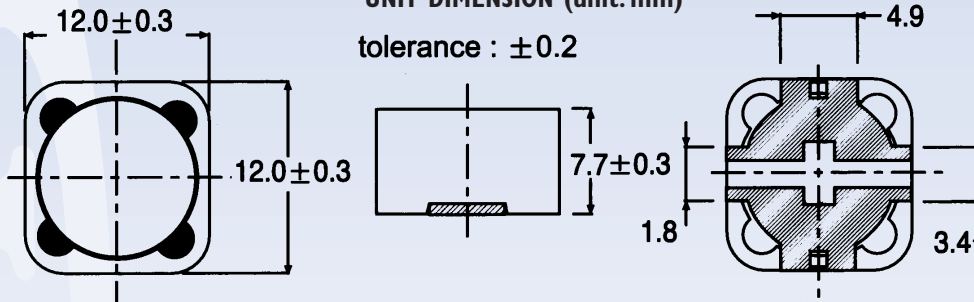
- Surface mountable device.
- Low Profile.
- Excellent performance & cost effective.
- Tape & Reel for auto-placement.
- Applicable for DC-DC converter.

BENEFITS

- Frequency Range: 1 ~ 100 KHz
- Inductance Range: 1.2 μ H ~ 1.0 mH
- Operating Temperature Range: -40°C to +80°C
- Inductance: measured by HP 4194A, impedance and gain phase analyzer.
- Inductance Drop: 20% at rated current

UNIT DIMENSION (unit: mm)

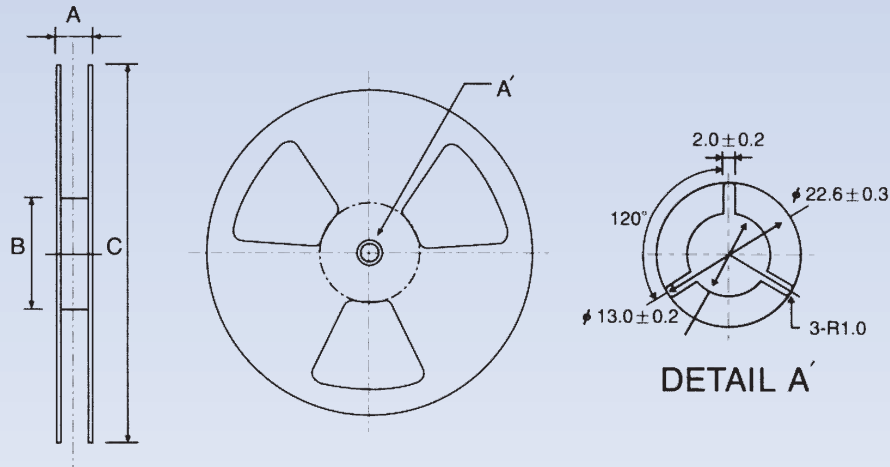
tolerance : ± 0.2



STANDARD SPECIFICATIONS

PACKAGE TYPE	INDUCTANCE (μ H $\pm 20\%$)	DC RESISTANCE ($m\Omega$) max.	RATED CURRENT (A) max.
ADS127A-102 □	1.2	7.0	9.80
ADS127A-242 □	2.4	11.5	8.00
ADS127A-352 □	3.5	13.5	7.50
ADS127A-472 □	4.7	15.8	6.80
ADS127A-612 □	6.1	17.6	6.60
ADS127A-726 □	7.6	20.0	5.90
ADS127A-103 □	10	21.6	5.40
ADS127A-123 □	12	24.3	4.90
ADS127A-153 □	15	27.0	4.50
ADS127A-183 □	18	39.2	3.90
ADS127A-223 □	22	43.2	3.60
ADS127A-273 □	27	45.9	3.40
ADS127A-333 □	33	64.8	3.00
ADS127A-393 □	39	72.9	2.75
ADS127A-473 □	47	100	2.50
ADS127A-563 □	56	110	2.35
ADS127A-683 □	68	140	2.10
ADS127A-823 □	82	160	1.95
ADS127A-104 □	100	220	1.70
ADS127A-124 □	120	250	1.60
ADS127A-154 □	150	280	1.42
ADS127A-184 □	180	350	1.30
ADS127A-224 □	220	390	1.16
ADS127A-274 □	270	560	1.06
ADS127A-334 □	330	640	0.95
ADS127A-394 □	390	700	0.88
ADS127A-474 □	470	980	0.79
ADS127A-564 □	560	1070	0.73
ADS127A-684 □	680	1460	0.67
ADS127A-824 □	820	1640	0.60
ADS127A-105 □	1000	1820	0.55

Tape & Reel Specifications



SPECIFICATIONS

PACKAGE TYPE	A	B	C	D	E	F	G	H	I	J	QTY/REEL
ADO2060A	16.4	330	330	16	3.2	4	8	200	12000	400	2700
ADO1608CA	16.4	60	330	16	3	4	8	200	20000	400	2000
ADT1608CA	16.4	60	330	16	3	4	8	200	20000	400	2000
ADS1608CA	16.4	60	330	16	3	4	8	200	20000	400	2000
ADO3308PA	24.4	100	330	24	3.2	4	12	200	1800	400	1500
ADO3316PA	24.4	100	330	24	5	4	12	200	12000	400	1000
ADS3316PA	24.4	100	330	24	5	4	12	200	12000	400	1000
ADO3340PA	24.4	100	330	24	11	4	16	200	4000	400	250
ADO5022PA	32.4	330	330	32	6.9	4	24	200	7200	400	350
ADS5022PA	32.4	330	330	32	6.9	4	24	200	7200	400	350
ADO7032A	16.4	60	330	16	3.4	4	12	200	20400	400	1700
ADS127A	24.4	100	330	24	7.9	4	16	200	7200	400	450
ADS125A	24.4	100	330	24	6.1	4	16	200	10400	400	650
ADO43A	16.4	60	330	16	3.4	4	8	200	19200	400	2000
ADO54A	16.4	60	330	16	4.7	4	12	200	14400	400	1200
ADO75A	16.4	60	330	16	5.4	4	12	200	12000	400	1000
ADO105A	16.4	60	330	16	5.8	4	12	200	12000	400	1000
ADTISM-4	16.4	330	330	16	3.2	4	8	200	12000	400	2700
ADTISM-3	12.4	330	330	12	2.4	4	8	200	24000	400	3000
ADDLCSM-507I	24.4	100	330	24	5.9	4	12	200	12000	400	1500
ADDLCSM-581I	24.4	100	330	24	5.9	4	12	200	12000	400	900

XTAL

OSC

VCXO
VCO

TCXO
VCTCXO

FLTR

RES

IND

INDUCTORS