

ADO43A



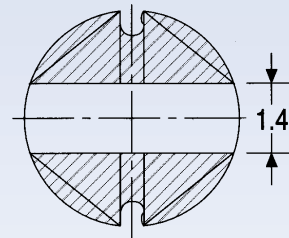
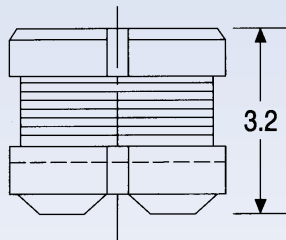
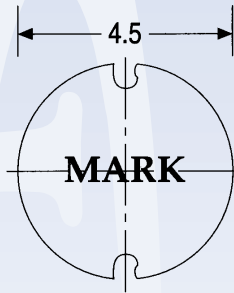
FEATURES

- Surface mountable device.
- Low Profile.
- Excellent performance & cost effective.
- Tape & Reel for auto-placement.
- Applicable for DC-DC converter.

BENEFITS

- Frequency Range: 0.1 ~ 10 MHz
- Inductance Range: 1.4 ~ 1000 μ H
- Tested: * KHz and 0.05V
- Operating Temperature Range: -40°C to +85°C
- Inductance: measured by HP 4194A, impedance and gain phase analyzer.
- Inductance Drop: 10% at rated current

UNIT DIMENSION (unit: mm)

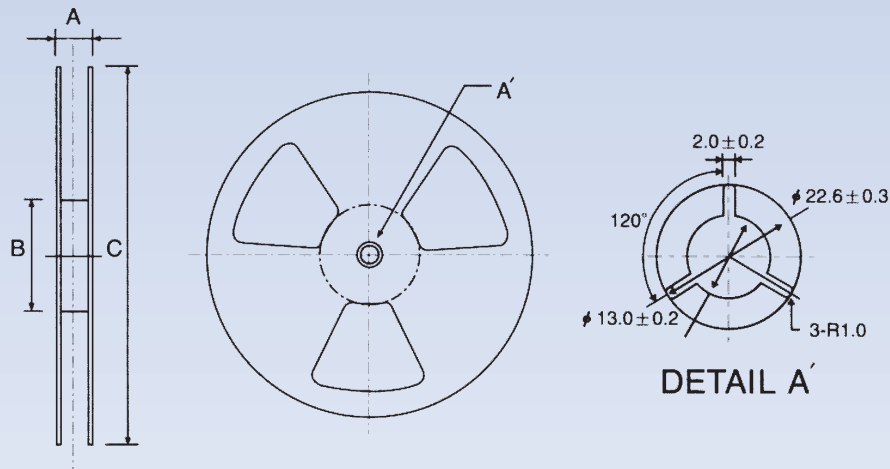


tolerance : ± 0.2

STANDARD SPECIFICATIONS

PACKAGE TYPE (μ H)	INDUCTANCE (KHz)	FREQUENCY* RESISTANCE (Ω)	DC CURRENT (A) max.	RATED max.
ADO43A-142 □	1.4 $\pm 20\%$	7960	0.040	3.00
ADO43A-182 □	1.8 $\pm 20\%$	7960	0.048	2.50
ADO43A-222 □	2.2 $\pm 20\%$	7960	0.050	2.40
ADO43A-332 □	3.3 $\pm 20\%$	7960	0.075	1.80
ADO43A-472 □	4.7 $\pm 20\%$	7960	0.100	1.40
ADO43A-682 □	6.8 $\pm 20\%$	7960	0.150	1.00
ADO43A-103 □	10 $\pm 20\%$	2520	0.182	0.74
ADO43A-153 □	15 $\pm 20\%$	2520	0.290	0.52
ADO43A-223 □	22 $\pm 20\%$	2520	0.378	0.48
ADO43A-333 □	33 $\pm 10\%$	2520	0.540	0.37
ADO43A-473 □	47 $\pm 10\%$	2520	0.844	0.33
ADO43A-683 □	68 $\pm 10\%$	2520	1.200	0.28
ADO43A-104 □	100 $\pm 10\%$	1	1.450	0.260
ADO43A-154 □	150 $\pm 10\%$	1	1.900	0.210
ADO43A-224 □	220 $\pm 10\%$	1	2.850	0.160
ADO43A-334 □	330 $\pm 10\%$	1	4.010	0.145
ADO43A-474 □	470 $\pm 10\%$	1	6.500	0.120
ADO43A-684 □	680 $\pm 10\%$	1	10.10	0.100
ADO43A-105 □	1000 $\pm 10\%$	1	20.00	0.075

Tape & Reel Specifications



SPECIFICATIONS

PACKAGE TYPE	A	B	C	D	E	F	G	H	I	J	QTY/REEL
ADO2060A	16.4	330	330	16	3.2	4	8	200	12000	400	2700
ADO1608CA	16.4	60	330	16	3	4	8	200	20000	400	2000
ADT1608CA	16.4	60	330	16	3	4	8	200	20000	400	2000
ADS1608CA	16.4	60	330	16	3	4	8	200	20000	400	2000
ADO3308PA	24.4	100	330	24	3.2	4	12	200	1800	400	1500
ADO3316PA	24.4	100	330	24	5	4	12	200	12000	400	1000
ADS3316PA	24.4	100	330	24	5	4	12	200	12000	400	1000
ADO3340PA	24.4	100	330	24	11	4	16	200	4000	400	250
ADO5022PA	32.4	330	330	32	6.9	4	24	200	7200	400	350
ADS5022PA	32.4	330	330	32	6.9	4	24	200	7200	400	350
ADO7032A	16.4	60	330	16	3.4	4	12	200	20400	400	1700
ADS127A	24.4	100	330	24	7.9	4	16	200	7200	400	450
ADS125A	24.4	100	330	24	6.1	4	16	200	10400	400	650
ADO43A	16.4	60	330	16	3.4	4	8	200	19200	400	2000
ADO54A	16.4	60	330	16	4.7	4	12	200	14400	400	1200
ADO75A	16.4	60	330	16	5.4	4	12	200	12000	400	1000
ADO105A	16.4	60	330	16	5.8	4	12	200	12000	400	1000
ADTISM-4	16.4	330	330	16	3.2	4	8	200	12000	400	2700
ADTISM-3	12.4	330	330	12	2.4	4	8	200	24000	400	3000
ADDLCSM-507I	24.4	100	330	24	5.9	4	12	200	12000	400	1500
ADDLCSM-581I	24.4	100	330	24	5.9	4	12	200	12000	400	900

XTAL

OSC

VCXO
VCO

TCXO
VCTCXO

FLTR

RES

IND

INDUCTORS