

Power Inductors

Surface Mount

ADO54A Series

XTAL

OSC

VCXO
VCO

TCXO
VCTCXO

FLTR

RES

IND

ADO54A

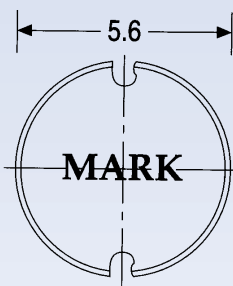


FEATURES

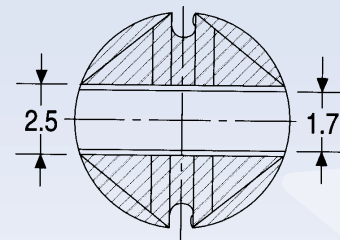
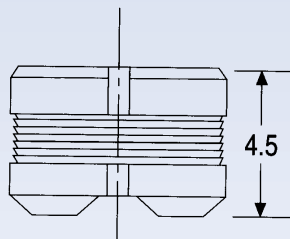
- Surface mountable device.
- Low Profile.
- Excellent performance & cost effective.
- Tape & Reel for auto-placement.
- Applicable for DC-DC converter.

BENEFITS

Frequency Range: 0.1 ~ 10 MHz
 Inductance Range: 10 ~ 1000 μ H
 Tested: * KHz and 0.05V
 Operating Temperature Range: -40°C to +85°C
 Inductance measured by HP 4194A, impedance and gain phase analyzer
 Inductance Drop 10% at rated current



UNIT DIMENSION (unit: mm)

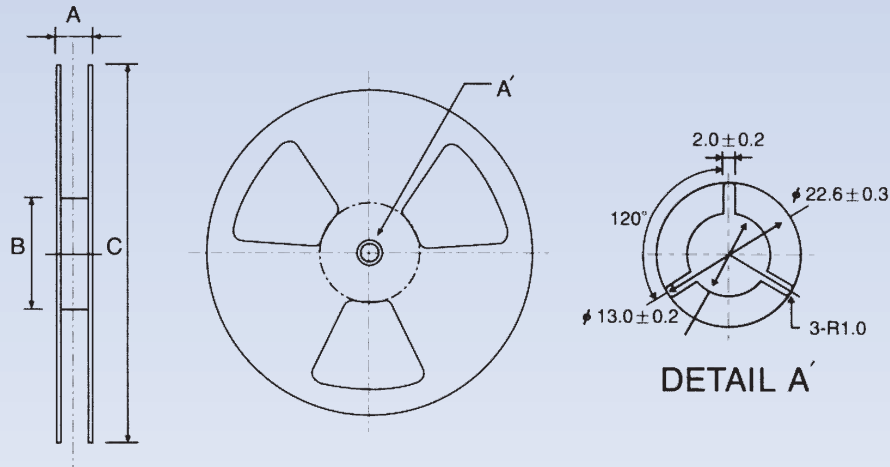


tolerance : ± 0.2

STANDARD SPECIFICATIONS

| PACKAGE TYPE | INDUCTANCE (μ H) | FREQUENCY* (KHz) | DC RESISTANCE (Ω) max. | RATED CURRENT (A) max. |
|--------------|--------------------------|---------------------|---------------------------------------|------------------------------|
| ADO54A-103□ | 10 $\pm 20\%$ | 2520 | 0.110 | 1.40 |
| ADO54A-123□ | 12 $\pm 20\%$ | 2520 | 0.130 | 1.35 |
| ADO54A-153□ | 15 $\pm 20\%$ | 2520 | 0.150 | 1.25 |
| ADO54A-183□ | 18 $\pm 20\%$ | 2520 | 0.170 | 1.20 |
| ADO54A-223□ | 22 $\pm 20\%$ | 2520 | 0.200 | 1.00 |
| ADO54A-273□ | 27 $\pm 20\%$ | 2520 | 0.220 | 0.95 |
| ADO54A-333□ | 33 $\pm 10\%$ | 2520 | 0.25 | 0.80 |
| ADO54A-393□ | 39 $\pm 10\%$ | 2520 | 0.35 | 0.75 |
| ADO54A-473□ | 47 $\pm 10\%$ | 2520 | 0.40 | 0.65 |
| ADO54A-563□ | 56 $\pm 10\%$ | 2520 | 0.42 | 0.60 |
| ADO54A-683□ | 68 $\pm 10\%$ | 2520 | 0.48 | 0.57 |
| ADO54A-823□ | 82 $\pm 10\%$ | 2520 | 0.65 | 0.53 |
| ADO54A-104□ | 100 $\pm 10\%$ | 1 | 0.75 | 0.49 |
| ADO54A-124□ | 120 $\pm 10\%$ | 1 | 1.00 | 0.45 |
| ADO54A-154□ | 150 $\pm 10\%$ | 1 | 1.20 | 0.38 |
| ADO54A-184□ | 180 $\pm 10\%$ | 1 | 1.50 | 0.35 |
| ADO54A-224□ | 220 $\pm 10\%$ | 1 | 1.65 | 0.30 |
| ADO54A-334□ | 330 $\pm 10\%$ | 1 | 2.10 | 0.27 |
| ADO54A-474□ | 470 $\pm 10\%$ | 1 | 2.90 | 0.25 |
| ADO54A-684□ | 680 $\pm 10\%$ | 1 | 3.50 | 0.22 |
| ADO54A-105□ | 1000 $\pm 10\%$ | 1 | 5.70 | 0.18 |

Tape & Reel Specifications



XTAL

OSC

VCXO
VCOTCXO
VCTCXO

FLTR

RES

IND

SPECIFICATIONS

| PACKAGE TYPE | A | B | C | D | E | F | G | H | I | J | QTY/REEL |
|--------------|------|-----|-----|----|-----|---|----|-----|-------|-----|----------|
| ADO2060A | 16.4 | 330 | 330 | 16 | 3.2 | 4 | 8 | 200 | 12000 | 400 | 2700 |
| ADO1608CA | 16.4 | 60 | 330 | 16 | 3 | 4 | 8 | 200 | 20000 | 400 | 2000 |
| ADT1608CA | 16.4 | 60 | 330 | 16 | 3 | 4 | 8 | 200 | 20000 | 400 | 2000 |
| ADS1608CA | 16.4 | 60 | 330 | 16 | 3 | 4 | 8 | 200 | 20000 | 400 | 2000 |
| ADO3308PA | 24.4 | 100 | 330 | 24 | 3.2 | 4 | 12 | 200 | 1800 | 400 | 1500 |
| ADO3316PA | 24.4 | 100 | 330 | 24 | 5 | 4 | 12 | 200 | 12000 | 400 | 1000 |
| ADS3316PA | 24.4 | 100 | 330 | 24 | 5 | 4 | 12 | 200 | 12000 | 400 | 1000 |
| ADO3340PA | 24.4 | 100 | 330 | 24 | 11 | 4 | 16 | 200 | 4000 | 400 | 250 |
| ADO5022PA | 32.4 | 330 | 330 | 32 | 6.9 | 4 | 24 | 200 | 7200 | 400 | 350 |
| ADS5022PA | 32.4 | 330 | 330 | 32 | 6.9 | 4 | 24 | 200 | 7200 | 400 | 350 |
| ADO7032A | 16.4 | 60 | 330 | 16 | 3.4 | 4 | 12 | 200 | 20400 | 400 | 1700 |
| ADS127A | 24.4 | 100 | 330 | 24 | 7.9 | 4 | 16 | 200 | 7200 | 400 | 450 |
| ADS125A | 24.4 | 100 | 330 | 24 | 6.1 | 4 | 16 | 200 | 10400 | 400 | 650 |
| ADO43A | 16.4 | 60 | 330 | 16 | 3.4 | 4 | 8 | 200 | 19200 | 400 | 2000 |
| ADO54A | 16.4 | 60 | 330 | 16 | 4.7 | 4 | 12 | 200 | 14400 | 400 | 1200 |
| ADO75A | 16.4 | 60 | 330 | 16 | 5.4 | 4 | 12 | 200 | 12000 | 400 | 1000 |
| ADO105A | 16.4 | 60 | 330 | 16 | 5.8 | 4 | 12 | 200 | 12000 | 400 | 1000 |
| ADTISM-4 | 16.4 | 330 | 330 | 16 | 3.2 | 4 | 8 | 200 | 12000 | 400 | 2700 |
| ADTISM-3 | 12.4 | 330 | 330 | 12 | 2.4 | 4 | 8 | 200 | 24000 | 400 | 3000 |
| ADDLCSM-507I | 24.4 | 100 | 330 | 24 | 5.9 | 4 | 12 | 200 | 12000 | 400 | 1500 |
| ADDLCSM-581I | 24.4 | 100 | 330 | 24 | 5.9 | 4 | 12 | 200 | 12000 | 400 | 900 |

INDUCTORS