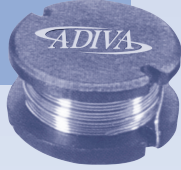


Power Inductors

Surface Mount

ADO105A Series

ADO105A

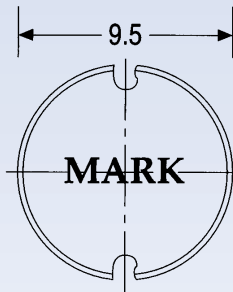


FEATURES

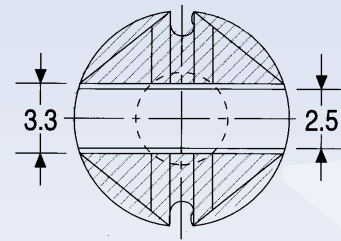
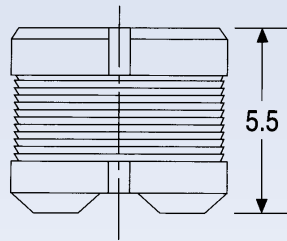
- Surface mountable device.
- Low Profile.
- Excellent performance & cost effective.
- Tape & Reel for auto-placement.
- Applicable for DC-DC converter.

BENEFITS

- Frequency Range: 0.1 ~ 10 MHz
 Inductance Range: 8.2 ~ 820 μ H
 Tested: * KHz and 0.05V
 Operating Temperature Range: -40°C to +85°C
 Inductance measured by HP 4194A, impedance and gain phase analyzer
 Inductance Drop 10% at rated current



UNIT DIMENSION (unit: mm)

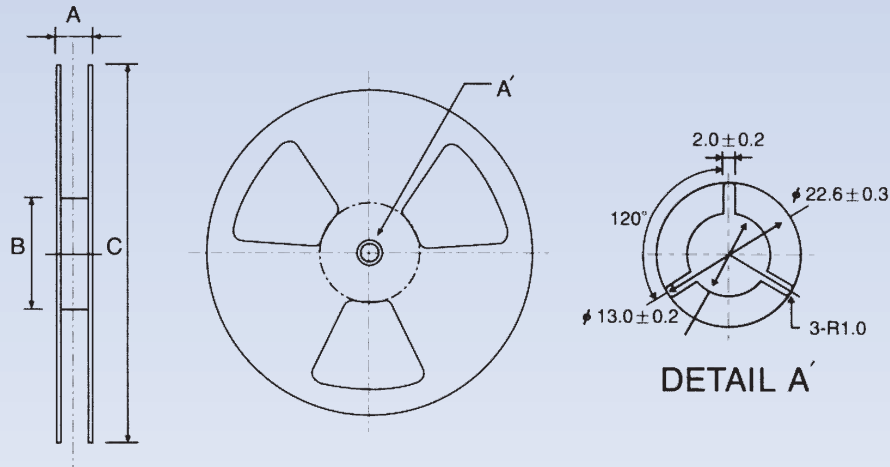


tolerance : ± 0.2

STANDARD SPECIFICATIONS

PART NUMBER	INDUCTANCE (μ H)	FREQUENCY* (KHz)	DC RESISTANCE (Ω) max.	RATED CURRENT (A) max.
ADO105A-822 □	8.2 $\pm 20\%$	7960	0.05	2.20
ADO105A-103 □	10 $\pm 20\%$	2520	0.06	2.10
ADO105A-123 □	12 $\pm 20\%$	2520	0.07	2.07
ADO105A-153 □	15 $\pm 20\%$	2520	0.08	2.04
ADO105A-183 □	18 $\pm 20\%$	2520	0.09	2.01
ADO105A-223 □	22 $\pm 20\%$	2520	0.10	1.96
ADO105A-273 □	27 $\pm 20\%$	2520	0.11	1.76
ADO105A-333 □	33 $\pm 10\%$	2520	0.13	2.00
ADO105A-393 □	39 $\pm 10\%$	2520	0.14	1.37
ADO105A-473 □	47 $\pm 10\%$	2520	0.17	1.28
ADO105A-683 □	68 $\pm 10\%$	2520	0.22	1.11
ADO105A-823 □	82 $\pm 10\%$	2520	0.25	1.00
ADO105A-104 □	100 $\pm 10\%$	1	0.35	0.97
ADO105A-124 □	120 $\pm 10\%$	1	0.41	0.89
ADO105A-154 □	150 $\pm 10\%$	1	0.47	0.79
ADO105A-224 □	220 $\pm 10\%$	1	0.73	0.66
ADO105A-274 □	270 $\pm 10\%$	1	0.97	0.57
ADO105A-334 □	330 $\pm 10\%$	1	1.15	0.52
ADO105A-394 □	390 $\pm 10\%$	1	1.30	0.48
ADO105A-474 □	470 $\pm 10\%$	1	1.48	0.42
ADO105A-564 □	560 $\pm 10\%$	1	1.90	0.34
ADO105A-684 □	680 $\pm 10\%$	1	2.25	0.28
ADO105A-824 □	820 $\pm 10\%$	1	2.55	0.24

Tape & Reel Specifications



SPECIFICATIONS

PACKAGE TYPE	A	B	C	D	E	F	G	H	I	J	QTY/REEL
ADO2060A	16.4	330	330	16	3.2	4	8	200	12000	400	2700
ADO1608CA	16.4	60	330	16	3	4	8	200	20000	400	2000
ADT1608CA	16.4	60	330	16	3	4	8	200	20000	400	2000
ADS1608CA	16.4	60	330	16	3	4	8	200	20000	400	2000
ADO3308PA	24.4	100	330	24	3.2	4	12	200	1800	400	1500
ADO3316PA	24.4	100	330	24	5	4	12	200	12000	400	1000
ADS3316PA	24.4	100	330	24	5	4	12	200	12000	400	1000
ADO3340PA	24.4	100	330	24	11	4	16	200	4000	400	250
ADO5022PA	32.4	330	330	32	6.9	4	24	200	7200	400	350
ADS5022PA	32.4	330	330	32	6.9	4	24	200	7200	400	350
ADO7032A	16.4	60	330	16	3.4	4	12	200	20400	400	1700
ADS127A	24.4	100	330	24	7.9	4	16	200	7200	400	450
ADS125A	24.4	100	330	24	6.1	4	16	200	10400	400	650
ADO43A	16.4	60	330	16	3.4	4	8	200	19200	400	2000
ADO54A	16.4	60	330	16	4.7	4	12	200	14400	400	1200
ADO75A	16.4	60	330	16	5.4	4	12	200	12000	400	1000
ADO105A	16.4	60	330	16	5.8	4	12	200	12000	400	1000
ADTISM-4	16.4	330	330	16	3.2	4	8	200	12000	400	2700
ADTISM-3	12.4	330	330	12	2.4	4	8	200	24000	400	3000
ADDLCSM-507I	24.4	100	330	24	5.9	4	12	200	12000	400	1500
ADDLCSM-581I	24.4	100	330	24	5.9	4	12	200	12000	400	900

XTAL

OSC

VCXO
VCO

TCXO
VCTCXO

FLTR

RES

IND

INDUCTORS