

# Toroids

Surface Mount

ADTISM-3 Series (309)

## ADTISM-309



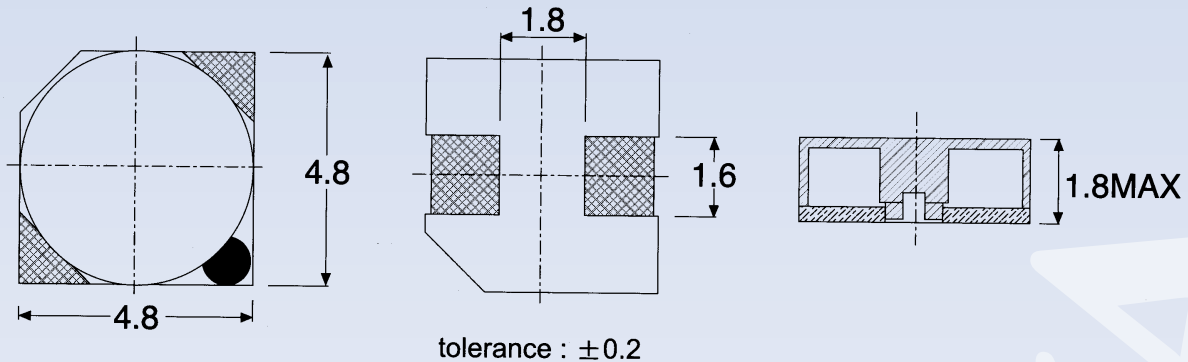
### FEATURES

- Thin Profile.
- Surface mount type.
- Low DC resistance.
- Excellent noise cleansing performance.

### BENEFITS

Tested: 100 KHz and 0.05V  
 Operating Temperature Range: -40°C to +85°C  
 Inductance measured by HP 4194A, impedance and gain phase analyzer.  
 Inductance Drop  $\geq$  Rated L at rated current

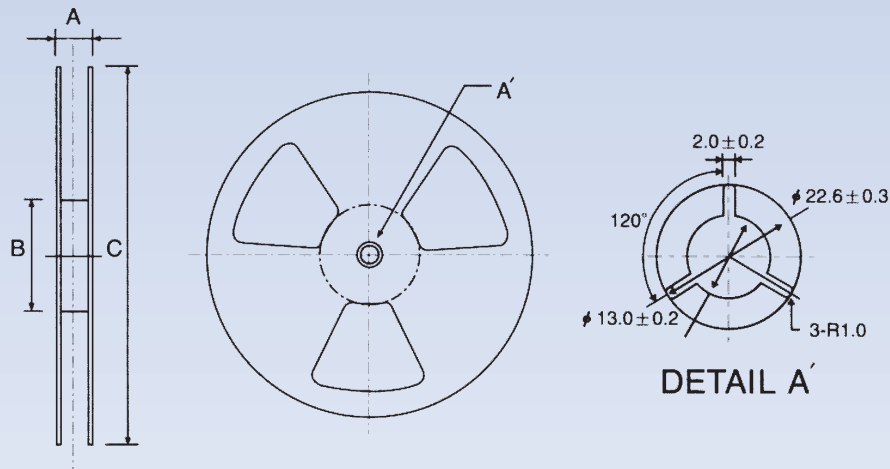
### UNIT DIMENSION (unit: mm)



### STANDARD SPECIFICATIONS

PACKAGE TYPE ( $\mu$ H)	INDUCTANCE (KHz)	FREQUENCY $\pm$ RESISTANCE ( $\Omega$ )	DC CURRENT (A) max.	RATED max.
ADTISM-309-100 □	10	0.30	7	0.7
ADTISM-309-150 □	15	0.45	10	0.5
ADTISM-309-220 □	22	0.50	17	0.4
ADTISM-309-470 □	47	0.70	40	0.2

# Tape & Reel Specifications



XTAL

OSC

VCXO  
VCOTCXO  
VCTCXO

FLTR

RES

IND

## SPECIFICATIONS

PACKAGE TYPE	A	B	C	D	E	F	G	H	I	J	QTY/REEL
ADO2060A	16.4	330	330	16	3.2	4	8	200	12000	400	2700
ADO1608CA	16.4	60	330	16	3	4	8	200	20000	400	2000
ADT1608CA	16.4	60	330	16	3	4	8	200	20000	400	2000
ADS1608CA	16.4	60	330	16	3	4	8	200	20000	400	2000
ADO3308PA	24.4	100	330	24	3.2	4	12	200	1800	400	1500
ADO3316PA	24.4	100	330	24	5	4	12	200	12000	400	1000
ADS3316PA	24.4	100	330	24	5	4	12	200	12000	400	1000
ADO3340PA	24.4	100	330	24	11	4	16	200	4000	400	250
ADO5022PA	32.4	330	330	32	6.9	4	24	200	7200	400	350
ADS5022PA	32.4	330	330	32	6.9	4	24	200	7200	400	350
ADO7032A	16.4	60	330	16	3.4	4	12	200	20400	400	1700
ADS127A	24.4	100	330	24	7.9	4	16	200	7200	400	450
ADS125A	24.4	100	330	24	6.1	4	16	200	10400	400	650
ADO43A	16.4	60	330	16	3.4	4	8	200	19200	400	2000
ADO54A	16.4	60	330	16	4.7	4	12	200	14400	400	1200
ADO75A	16.4	60	330	16	5.4	4	12	200	12000	400	1000
ADO105A	16.4	60	330	16	5.8	4	12	200	12000	400	1000
ADTISM-4	16.4	330	330	16	3.2	4	8	200	12000	400	2700
ADTISM-3	12.4	330	330	12	2.4	4	8	200	24000	400	3000
ADDLCSM-507I	24.4	100	330	24	5.9	4	12	200	12000	400	1500
ADDLCSM-581I	24.4	100	330	24	5.9	4	12	200	12000	400	900

INDUCTORS

179