

### ADX49SMP



### ADX49SMPI

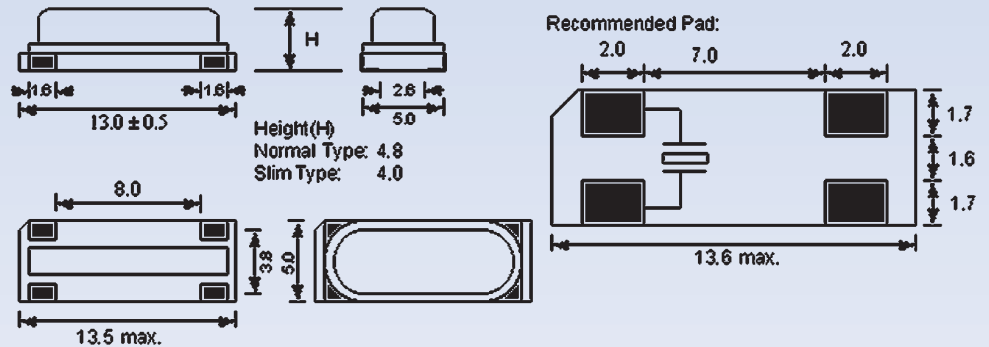


### FEATURES

- Resistance weld for low aging.
- Custom E.S.R. availability.
- Extended operating temperature range option.
- Fits standard thermoplastic footprint.

### ADX49SMP & ADX49SMPI (unit: mm)

ADX49SMP = 4.8 (H)    ADX49SMPI = 4.0 (H)



### STANDARD SPECIFICATIONS

Package Type		ADX49SMP & ADX49SMPI	Conditions
Frequency Range	F	3.180 MHz ~ 65.000 MHz	AT Fund./3rd Overtone and BT Fund.
Frequency Tolerance		±50 ppm std. / ±30 ppm opt.	Reference Temperature
25°C	# f/F		
-10°C ~ +70°C		±50 ppm std. / ±30 ppm opt.	Adjustment Tolerance
Freq. vs. Temperature Characteristics			
Operating Temperature Range		0°C ~ +70°C std. / -40°C ~ +85°C opt.	
Storage Temperature Range		-30°C ~ +85°C	
Equivalent Series Resistance	ESR	See Table Below	
Load Capacitance	CL	18 pF std. (Specify if Different)	
Shunt Capacitance	Co	7 pF max.	
Drive Level	P	50 ~ 100 μW	
Insulation Resistance		500 MΩ min.	DC 100V ±15V
Aging (for first year)	# f/F	±5 ppm max.	T = 25°C ±3°C
Sealing		1 x 10 <sup>-2</sup> μPa·m <sup>3</sup> /sec. max..	
Shock Resistance		Drop Test of 3 times on a Hard Board from 75 cm Height.	

Tape and Reel packaging: 1,000 per reel

### EQUIVALENT SERIES RESISTANCE (E.S.R.)

Frequency (MHz)	Vibration Code	E.S.R. max.
3.18 MHz to 7.00 MHz	AT Cut Fundamental	100~200Ω
7.01 MHz to 15.99 MHz	AT Cut Fundamental	60~90Ω
16.00 MHz to 28.0 MHz	AT Cut Fundamental	40Ω
24.0 MHz to 36.0 MHz	BT Cut Fundamental	40Ω
36.01 MHz to 40.0 MHz	BT Cut Fundamental	50Ω
27.0 MHz to 65 MHz	AT Cut 3rd Overtone	100Ω

# Quartz Part Numbering Guide

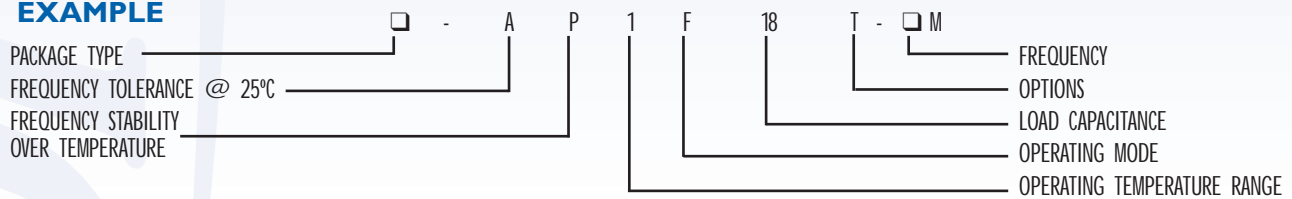
Surface Mount

ADXSM, ADX49SM, ADX49SSM1/SSM2, ADX49SMP/SMP1 Series



<b>Package Type</b>	ADXSM-351 pg10 ADXSM-364 pg11 ADXSM-365 pg12 ADXSM-463 pg16 ADXSM-481 pg17 ADXSM-491 pg20 ADXSM-492 pg20	ADXSM-571 pg21 ADXSM-572 pg22 ADXSM-581 pg23 ADXSM-5111A pg24 ADXSM-6122A pg24 ADXSM-6121A pg25 ADXSM-5122A pg25	ADXSM-5134AZ pg26 ADXSM-5136AZ pg26 ADXSM-5135AZ pg27 ADXSM-5137AZ pg27 ADXSM-5138AZ pg28 ADXSM-5121B pg29 ADXSM-5122B pg29	ADX49SM pg30 ADX49SSM pg30 ADX49SSM1 pg31 ADX49SSM2 pg31 ADX49SMP pg32 ADX49SMP1 pg32
<b>Frequency Tolerance @ 25°C</b>	±100ppm A ±50ppm B ±45ppm C	±40ppm D ±35ppm E ±30ppm F	±25ppm G ±20ppm H ±15ppm I	±10ppm J ±5ppm K
<b>Frequency Stability Over Temperature</b>	±100 ppm P ±50 ppm Q ±45 ppm R ±40 ppm S	±35 ppm T ±30 ppm U ±25 ppm V ±20 ppm W	±15 ppm X ±10 ppm Y ±7.5 ppm YY ±5 ppm Z	±4 ppm ZZ ±3 ppm ZY
<b>Operating Temperature Range</b>	0°C to +70°C 1 -10°C to +60°C 2 -20°C to +70°C 3 -40°C to +75°C 4	-40°C to +85°C 5 -40°C to +90°C 6 0°C to +55°C 7 -40°C to +125°C 8	0°C to +50°C 9 -10°C to +50°C 10 -10°C to +70°C 11 -30°C to +75°C 12	-30°C to +80°C 13 -350°C to +80°C 14
<b>Operating Mode</b>	Fundamental F 3rd Overtone 3	5th Overtone 5 7th Overtone 7	9th Overtone 9	
<b>Load Capacitance</b>	6 pF 6 10 pF 10 12 pF 12	15 pF 15 16 pF 16 18 pF 18	20 pF 20 22 pF 22 30 pF 30	32 pF 32 50 pF 50 Series S
<b>Options</b>	Bulk Blank	Insulator Tab I	Tape & Reel T	
<b>Frequency</b>	MHz M	KHz K		

**EXAMPLE**



<b>Package Type</b>	ADXSM-281 pg9 ADXSM-371 pg13 ADXSM-391 pg14	ADXSM-411 pg15 ADXSM-412 pg15 ADXSM-481A pg18	ADXSM-481B pg19 ADXSM-482B pg19
<b>Frequency Tolerance @ 25°C</b>	±100ppm A ±50ppm B ±45ppm C ±40ppm D	±35ppm E ±30ppm F ±25ppm G ±20ppm H	±15ppm I ±10ppm J ±5ppm K
<b>Load Capacitance</b>	6 pF 6	7 pF 7	12.5 pF 12.5
<b>Options</b>	Bulk Blank	Insulator Tab I	Tape & Reel T
<b>Frequency</b>	MHz M	KHz K	

**EXAMPLE**

