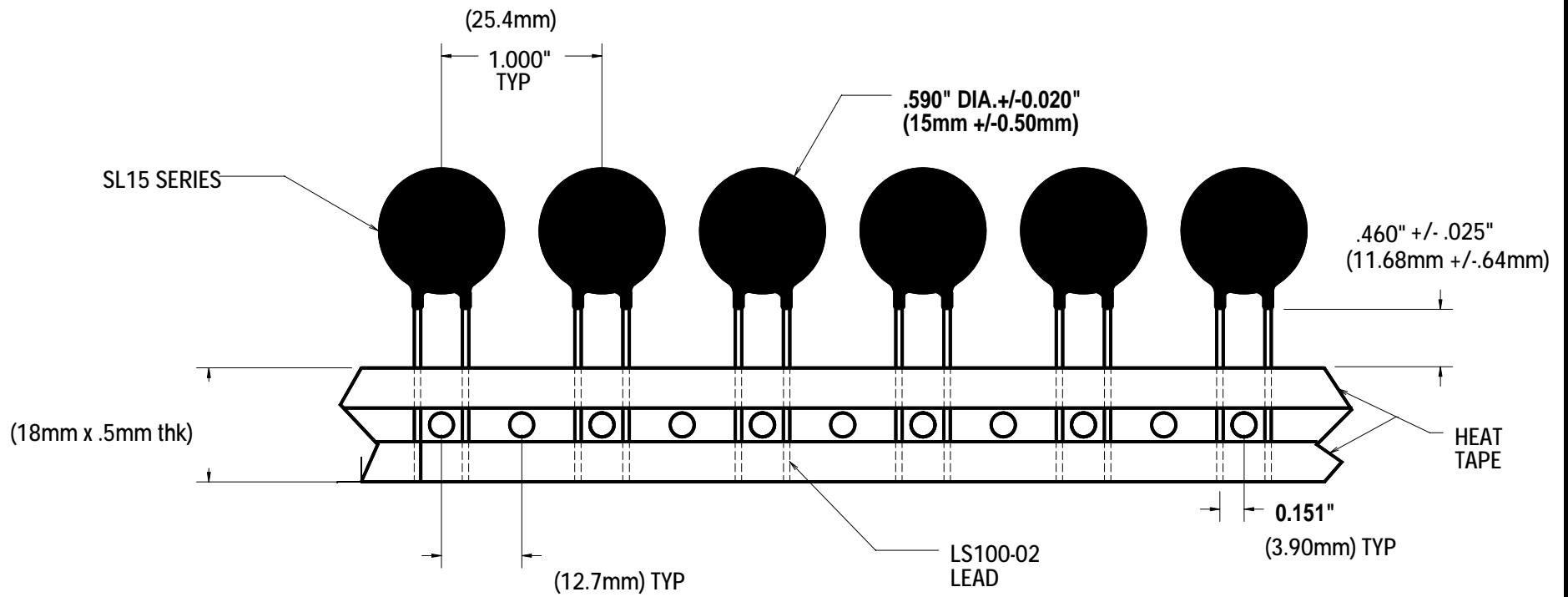


REV	REASON FOR REVISION	DATE & BY



NOTES:

1. SPECIFICATIONS CAN BE MODIFIED PER CUSTOMER REQUIREMENTS.
2. SEE DATA SHEET FOR ELECTRICAL SPECIFICATIONS.
3. QUANTY PER REEL 750

<h1>AMETHERM</h1>			
<i>Reliability Delivered On Time</i>			
DRWG NAME: SL15 SERIES ON LS100-02 LEAD		DRWG NO.: AME-10456A	
DRAWN BY & DATE: TFM 03JUN02	SCALE: N/A	REV: N/C	SHEET: 1