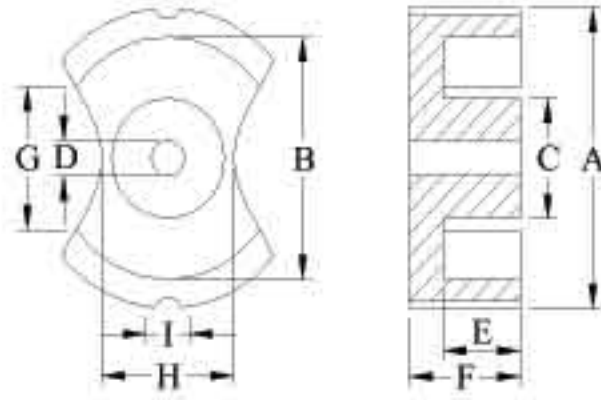


PM CORES



Type	Dimensions (mm)								
	A	B	C	D	E	F	Gmin	Hmax	I
PM50/39	50.0 ⁰ _{-1.7}	39.0 ^{+1.3} ₀	20.0 ⁰ _{-0.6}	5.4 ^{+0.1} ₀	13.2 ^{+0.4} ₀	19.5 ⁰ _{-0.2}	23.4	23.0	5.0 ⁰ _{-0.4}
PM62/49	62.0 ⁰ _{-2.0}	48.8 ^{+1.5} ₀	25.5 ⁰ _{-0.8}	5.1 ^{+0.3} ₀	16.7 ^{+0.4} ₀	24.5 ⁰ _{-0.3}	29.0	30.5	4.0 ^{+1.0} ₀
PM87/70	87.0 ⁰ _{-3.0}	67.1 ^{+2.1} ₀	31.7 ⁰ _{-1.0}	8.5 ^{+0.3} ₀	24.0 ^{+0.4} ₀	35.0 ⁰ _{-0.4}	39.4	36.0	5.0 ⁰ _{-0.4}
PM114/93	114.0 ⁰ _{-4.5}	88.0 ^{+3.7} ₀	43.0 ⁰ _{-1.4}	5.4 ^{+0.4} ₀	31.5 ^{+0.8} ₀	46.5 ⁰ _{-0.5}			

A_L-value(nH/N²±25%): 1kHz, 100Ts,25 °C

Core loss Pc (Watt max):16kHz,150mT,100 °C

Type	Effective Parameter					A _L	Pc
	C ₁ (mm ⁻¹)	le(mm)	Ae(mm ²)	Ve(mm ³)	W (g/set)	JP3	JP3
PM50/39	0.227	84.0	370	31000	140	9800	1.4
PM62/49	0.191	109	570	62000	280	12000	2.8
PM87/70	0.161	146	910	133000	770	15000	7.7
PM114/93	0.116	200	1720	344000		18400	