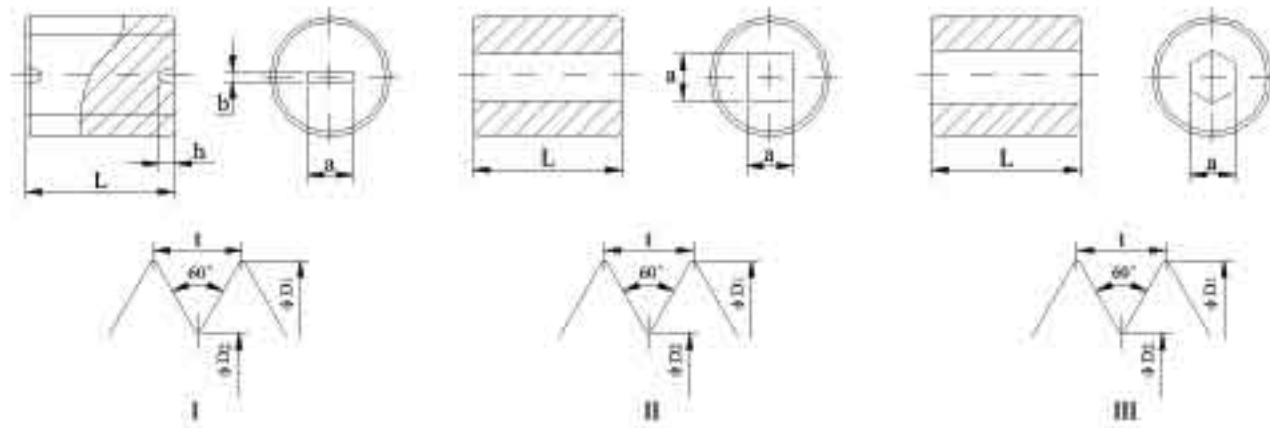


SMALL CORES



● THREADED CORES

Type	Shape	Material	Dimensions (mm)						
			L	D ₁	D ₂	t	a	b	h
M4/0.7/8	I	JR10	8.0±0.5	4.0 ^{-0.10} _{-0.25}	3.3 ⁰ _{-0.4}	0.7±0.03	1.7 ^{+0.3} ₀	0.7±0.1	1.2 ^{+0.4} _{-0.1}
		JR40						0.5±0.1	
M4/0.7/12	I	JL2	12.0±0.8	4.0 ^{-0.10} _{-0.25}	3.3 ⁰ _{-0.4}	0.7±0.03	1.7 ^{+0.3} ₀	1.0±0.2 0.5±0.1	1.2 ^{+0.4} ₀
M4.5/0.75/8	I	JR40	8.0±0.5	4.5±0.05		0.75±0.03			
M6/0.75/16	I	JP2	16.0±0.5	6.0 ^{-0.08} _{-0.24}	5.3 ⁰ _{-0.4}	0.75±0.03	3.0	1.5	1.5
M6/0.75/23	I	JP2	23.0 ⁰ _{-0.3}	5.7 ^{-0.10} _{-0.25}	5.25 ⁰ _{-0.4}	0.75±0.03	2.8±0.3	1.6±0.2	2.6±0.2
M4/0.75/4.1	II	JR40	4.1±0.1	3.8 ^{-0.10} _{-0.25}	3.4 ⁰ _{-0.4}	0.75±0.03	2.8±0.3	1.6±0.2	2.6±0.2
M4/0.75/4.2	II	JR40	4.0±0.2	4.0 ^{-0.10} _{-0.25}	3.3 ⁰ _{-0.4}	0.75±0.03	1.5 ^{+0.2} ₀		
M4/0.75/4.5	II	JR40	4.5±0.1	4.0 ^{-0.10} _{-0.25}	3.3 ⁰ _{-0.4}	0.75±0.03	1.5 ^{+0.2} ₀		
M6/0.75/12	II	JR20	12.4±0.6	6.0 ^{-0.08} _{-0.24}	5.3 ⁰ _{-0.4}	0.75±0.03	2.15 ^{+0.4} ₀		
		JR250							
M6/0.75/16	II	JR250	16.0±0.6	6.0 ^{-0.08} _{-0.24}	5.3 ⁰ _{-0.4}	0.75±0.03	2.15 ^{+0.3} ₀		
M6/0.75/20	III	JR250	20.0±0.6	6.0 ^{-0.08} _{-0.24}	5.3 ⁰ _{-0.4}	0.75±0.03	2.15 ^{+0.3} ₀		
M6/1/15	III	JR250	15.0±0.5	6.0±0.03		1.0±0.03	2.65 ^{+0.15} _{-0.05}		
M6/1/25	III	JR250 JP2	25.0±0.5	5.9±0.5		1.0±0.03	2.2±0.1		