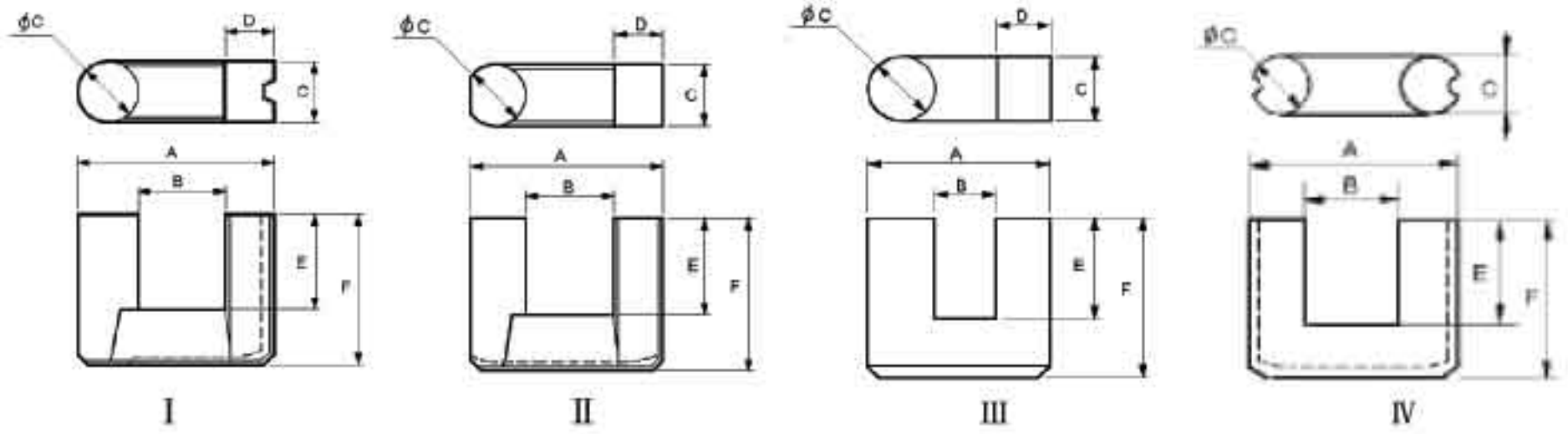


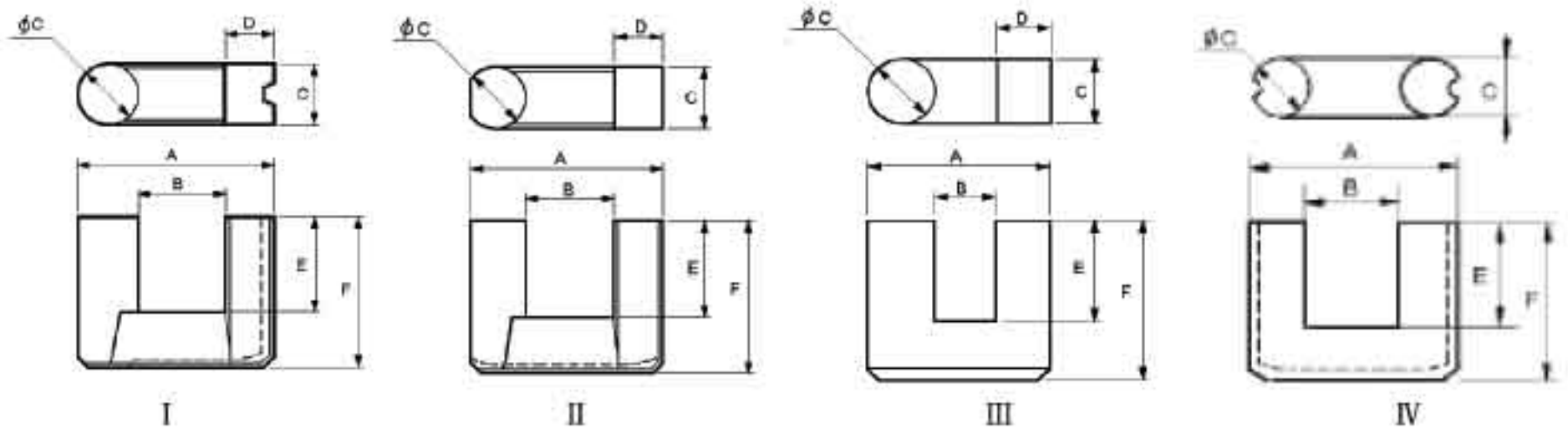
U CORES



Dimensions (mm)

| Type | Shape | A | B | C | D | E | F |
|------------|-------|----------|----------|----------|----------|----------|----------|
| UYF10/30 | I | 30.5±0.6 | 12.0 min | 9.9±0.2 | 7.9±0.3 | 21.2±0.3 | 29.6±0.3 |
| UYF10/31 | I | 31.2±0.6 | 13.4 min | 9.6±0.3 | 7.6±0.3 | 20.2±0.3 | 28.2±0.3 |
| UYF10/35 | I | 35.2±0.6 | 17.3 min | 9.7±0.2 | 7.6±0.3 | 16.9±0.3 | 24.6±0.3 |
| UYF10/36 | I | 36.3±0.6 | 17.0 min | 10.1±0.3 | 8.5±0.3 | 17.5±0.3 | 26.1±0.3 |
| UYF11.5/35 | I | 34.5±0.6 | 12.9 min | 11.5±0.2 | 9.5±0.3 | 19.1±0.2 | 29.1±0.3 |
| UYF11.5/36 | I | 35.5±0.6 | 13.9 min | 11.5±0.2 | 9.5±0.3 | 21.0±0.2 | 31.0±0.3 |
| UYF12/37 | I | 37.0±0.6 | 15.8 min | 12.2±0.2 | 8.4±0.3 | 24.8±0.3 | 35.3±0.3 |
| UYF13/34 | III | 33.5±0.6 | 11.4 min | 13.0±0.3 | 8.5±0.3 | 20.5±0.3 | 30.5±0.3 |
| UYF13/35 | III | 35.0±0.6 | 12.4 min | 12.7±0.3 | 9.3±0.3 | 24.0±0.3 | 34.3±0.3 |
| UYF13/35A | II | 35.2±0.6 | 12.6 min | 12.7±0.2 | 9.3±0.2 | 18.0±0.3 | 28.3±0.3 |
| UYF13/35B | I | 35.4±0.5 | 11.9 min | 13.0±0.3 | 10.0±0.3 | 17.5±0.3 | 27.5±0.3 |
| UYF13/36 | I | 35.5±0.6 | 12.0 min | 12.9±0.2 | 10.0±0.3 | 20.5±0.3 | 30.5±0.3 |
| UYF13/38 | I | 38.0±0.6 | 13.7 min | 13.0±0.3 | 10.7±0.3 | 18.5±0.3 | 29.0±0.3 |
| UYF13/38A | I | 38.0±0.6 | 13.4 min | 13.0±0.3 | 11.0±0.3 | 23.9±0.3 | 34.2±0.3 |
| UYF14/37 | I | 37.4±0.6 | 14.8 min | 14.4±0.3 | 7.5±0.3 | 21.2±0.3 | 29.4±0.3 |
| UYF14/38 | I | 38.5±0.6 | 13.5 min | 14.0±0.3 | 10.5±0.3 | 23.2±0.3 | 34.3±0.3 |
| UYF14/39 | I | 38.9±0.6 | 13.4 min | 14.0±0.3 | 10.9±0.3 | 21.3±0.3 | 31.8±0.3 |
| UYF14/40 | I | 40.0±0.6 | 14.9 min | 14.0±0.3 | 10.5±0.3 | 22.0±0.3 | 33.2±0.3 |
| UYF14/43 | I | 42.8±0.6 | 16.6 min | 14.0±0.3 | 11.5±0.3 | 21.8±0.3 | 33.3±0.3 |
| UYF14/44 | I | 43.6±0.6 | 17.4 min | 14.0±0.3 | 11.5±0.3 | 25.7±0.2 | 37.2±0.2 |
| UYF14.5/41 | I | 40.5±0.6 | 13.4 min | 14.5±0.3 | 12.0±0.3 | 20.5±0.3 | 31.5±0.3 |
| UYF14.5/42 | I | 42.2±0.6 | 14.8 min | 14.6±0.3 | 12.0±0.3 | 22.5±0.2 | 34.2±0.2 |

U CORES



Dimensions (mm)

| Type | Shape | A | B | C | D | E | F |
|------------|-------|----------|----------|----------|----------|----------|----------|
| UYF15/40 | I | 40.3±0.6 | 13.2 min | 15.0±0.3 | 11.5±0.3 | 21.5±0.3 | 33.0±0.3 |
| UYF15/41 | III | 41.5±0.6 | 14.5 min | 15.0±0.3 | 11.3±0.3 | 26.0±0.3 | 38.0±0.3 |
| UYF15/42 | I | 42.2±0.6 | 14.8 min | 14.8±0.3 | 12.0±0.3 | 25.2±0.3 | 37.2±0.3 |
| UYF15/42A | I | 42.0±0.6 | 14.4 min | 15.0±0.2 | 12.0±0.3 | 25.5±0.2 | 37.5±0.2 |
| UYF15/42B | I | 42.2±0.6 | 14.8 min | 15.0±0.2 | 12.0±0.3 | 24.7±0.3 | 36.7±0.2 |
| UYF15/42C | III | 42.3±0.6 | 14.4 min | 15.2±0.3 | 12.0±0.3 | 26.0±0.3 | 38.0±0.3 |
| UYF15/42D | I | 42.2±0.6 | 14.4 min | 15.3±0.4 | 12.1±0.4 | 20.2±0.4 | 31.8±0.3 |
| UYF15/43 | I | 42.5±0.6 | 14.9 min | 15.0±0.3 | 12.0±0.3 | 22.7±0.3 | 34.7±0.3 |
| UYF15/46 | I | 46.0±0.6 | 18.4 min | 15.0±0.3 | 12.0±0.3 | 26.3±0.3 | 38.4±0.3 |
| UYF16/43 | I | 43.0±0.6 | 14.4 min | 16.0±0.2 | 12.0±0.3 | 25.5±0.3 | 38.3±0.3 |
| UYF16/43A | I | 43.2±0.6 | 14.4 min | 16.0±0.2 | 12.0±0.3 | 25.5±0.3 | 37.5±0.3 |
| UYF16/44 | I | 44.0±0.6 | 15.2 min | 15.9±0.3 | 12.0±0.3 | 25.6±0.2 | 38.3±0.2 |
| UYF16/45 | I | 44.6±0.6 | 16.0 min | 16.0±0.3 | 12.0±0.3 | 25.5±0.2 | 37.5±0.3 |
| UYF16/48 | I | 48.0±0.8 | 17.9 min | 16.0±0.3 | 13.3±0.3 | 26.2±0.3 | 39.5±0.3 |
| UYF16.5/46 | I | 46.0±0.6 | 15.2 min | 16.5±0.3 | 13.3±0.3 | 24.5±0.5 | 37.5±0.3 |
| UYF17/47 | I | 46.5±0.6 | 15.5 min | 16.8±0.2 | 13.8±0.3 | 25.7±0.3 | 38.2±0.3 |
| UYF17/50 | I | 50.0±0.8 | 18.4 min | 17.0±0.3 | 13.8±0.3 | 26.1±0.3 | 40.2±0.3 |
| UYF18/48 | I | 48.4±0.8 | 15.1 min | 18.0±0.3 | 14.5±0.3 | 25.5±0.3 | 40.3±0.3 |
| UY10 | IV | 32.0±0.6 | 11.8 min | 9.8±0.3 | | 14.0±0.3 | 22.0±0.3 |
| UY12 | IV | 46.7±1.0 | 21.7 min | 12.0±0.3 | | 16.0±0.5 | 25.2±0.2 |
| UY16 | IV | 58.7±1.2 | 25.5 min | 16.0±0.3 | | 17.0±0.3 | 29.0±0.3 |

U CORES

| Type | Effective Parameter | | | | W(g/set) |
|------------|-----------------------|--------|----------------------|----------------------|----------|
| | $C_1(\text{mm}^{-1})$ | le(mm) | Ae(mm ²) | Ve(mm ³) | |
| UYF10/30 | 1.82 | 137 | 75.2 | 10300 | 52 |
| UYF10/31 | 1.87 | 135 | 72.1 | 9720 | 49 |
| UYF10/35 | 1.81 | 129 | 71.3 | 9200 | 48 |
| UYF10/36 | 1.63 | 133 | 81.8 | 10900 | 56 |
| UYF11.5/35 | 1.30 | 136 | 104 | 14100 | 71 |
| UYF11.5/36 | 1.39 | 145 | 104 | 15200 | 75 |
| UYF12/37 | 1.47 | 163 | 111 | 18200 | 94 |
| UYF13/34 | 1.24 | 136 | 110 | 15000 | 84 |
| UYF13/35 | 1.36 | 154 | 113 | 17500 | 88 |
| UYF13/35A | 1.00 | 131 | 120 | 17000 | 81 |
| UYF13/35B | 1.01 | 129 | 127 | 16400 | 85 |
| UYF13/36 | 1.13 | 141 | 125 | 17600 | 88 |
| UYF13/38 | 1.05 | 138 | 131 | 18100 | 91 |
| UYF13/38A | 1.20 | 158 | 132 | 20900 | 94 |
| UYF14/37 | 1.21 | 141 | 116 | 16300 | 83 |
| UYF14/38 | 1.08 | 157 | 146 | 23000 | 118 |
| UYF14/39 | 1.02 | 149 | 147 | 21900 | 108 |
| UYF14/40 | 1.06 | 156 | 147 | 22800 | 112 |
| UYF14/43 | 1.04 | 160 | 153 | 24400 | 122 |
| UYF14/44 | 1.16 | 177 | 153 | 27100 | 135 |
| UYF14.5/41 | 0.932 | 148 | 159 | 23400 | 117 |
| UYF14.5/42 | 0.967 | 160 | 166 | 26500 | 132 |

U CORES

| Type | Effective Parameter | | | | W(g/set) |
|------------|-----------------------|--------|----------------------|----------------------|----------|
| | $C_1(\text{mm}^{-1})$ | le(mm) | Ae(mm ²) | Ve(mm ³) | |
| UYF15/40 | 0.923 | 152 | 165 | 25100 | 125 |
| UYF15/41 | 1.00 | 174 | 173 | 30100 | 144 |
| UYF15/42 | 1.01 | 171 | 170 | 29200 | 148 |
| UYF15/42A | 0.994 | 172 | 173 | 29800 | 145 |
| UYF15/42B | 0.979 | 170 | 173 | 29400 | 139 |
| UYF15/42C | 0.986 | 174 | 177 | 30700 | 154 |
| UYF15/42D | 0.852 | 150 | 176 | 26400 | 130 |
| UYF15/43 | 0.934 | 162 | 173 | 28000 | 148 |
| UYF15/46 | 1.07 | 183 | 171 | 31300 | 160 |
| UYF16/43 | 0.920 | 174 | 189 | 32800 | 160 |
| UYF16/43A | 0.912 | 173 | 189 | 32700 | 164 |
| UYF16/44 | 0.920 | 176 | 191 | 33600 | 160 |
| UYF16/45 | 0.935 | 176 | 188 | 33000 | 162 |
| UYF16/48 | 0.917 | 186 | 203 | 37800 | 184 |
| UYF16.5/46 | 0.835 | 173 | 208 | 36000 | 180 |
| UYF17/47 | 0.839 | 178 | 213 | 37900 | 184 |
| UYF17/50 | 0.844 | 189 | 224 | 42400 | 206 |
| UYF18/48 | 0.717 | 183 | 255 | 46500 | 227 |
| UY10 | 1.76 | 107 | 61.0 | 6540 | 33 |
| UY12 | 1.38 | 143 | 103 | 14700 | 74 |
| UY16 | 0.921 | 165 | 179 | 29600 | 162 |