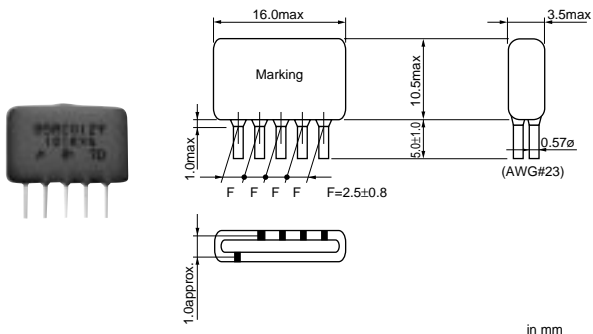


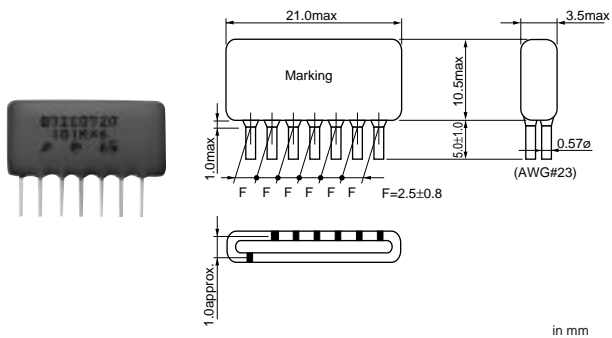
C Networks

● 4 Elements BXXC Series



Part Number	Number of Elements	Capacitance (pF)	Cap. Tolerance (%)	TC	Rated Voltage (Vdc)
B5RC0129-33N	4	100	±10	Y5P	50
B5RC0128-33N	4	220	±10	Y5P	50
B5RC0122-33N	4	330	±20	Y5P	50
B5RC0123-33N	4	470	±20	Y5P	50
B5RC0135-33N	4	560	±20	Y5P	50
B5RC0124-33N	4	1000	±20	Y5P	50
B5RC0125-33N	4	2200	±20	Y5T	50
B5RC0126-33N	4	4700	+80/-20	FZ	50
B5RC0127-65N	4	10000	+80/-20	FZ	50

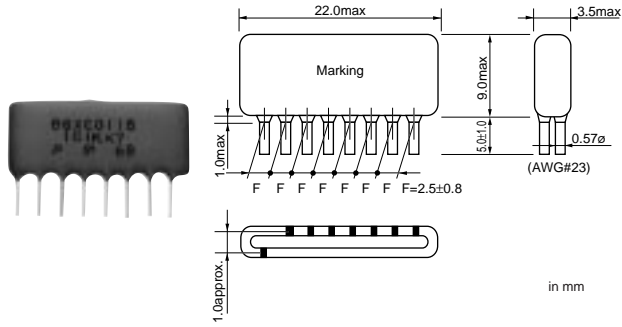
● 6 Elements BXXC Series



Part Number	Number of Elements	Capacitance (pF)	Cap. Tolerance (%)	TC	Rated Voltage (Vdc)
B7ZC0720-33N	6	100	±10	Y5P	50
B7ZC0713-33N	6	220	±10	Y5P	50
B7ZC0719-33N	6	330	±20	Y5P	50
B7ZC0717-33N	6	470	±20	Y5P	50
B7ZC0718-33N	6	560	±20	Y5P	50
B7ZC0716-33N	6	1000	±20	Y5P	50
B7ZC0715-33N	6	2200	±20	Y5T	50
B7ZC0714-33N	6	4700	+80/-20	FZ	50
B7ZC0711-65N	6	10000	+80/-20	FZ	50

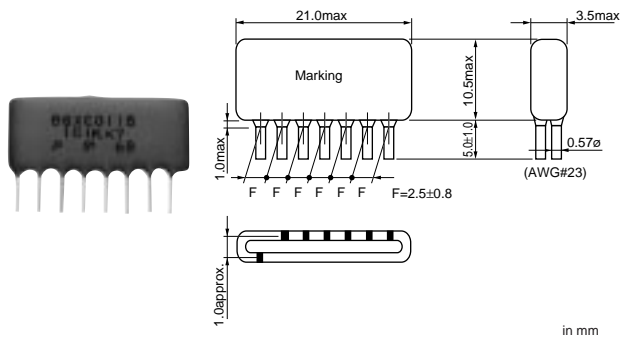
△Note • This catalog has only typical specifications because there is no space for detailed specifications. Therefore, please approve our product specifications or transact the approval sheet for product specifications before ordering. Especially, please read rating and △CAUTION (for storage, operating, rating, soldering, mounting and handling) in them to prevent smoking and/or burning, etc.
• You are able to read a detailed specifications in the website (<http://search.murata.co.jp/>) before to require our product specifications or to transact the approval sheet for product specifications.

● 7 Elements BXXC Series



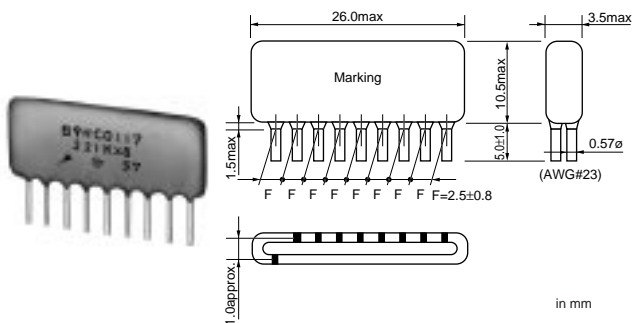
Part Number	Number of Elements	Capacitance (pF)	Cap. Tolerance (%)	TC	Rated Voltage (Vdc)
B8XC0118-33N	7	100	±10	Y5P	50
B8XC0117-33N	7	220	±10	Y5P	50
B8XC0116-33N	7	330	±20	Y5P	50
B8XC0119-33N	7	470	±20	Y5P	50
B8XC0115-33N	7	560	±20	Y5P	50
B8XC0114-33N	7	1000	±20	Y5P	50
B8XC0113-33N	7	2200	+40/-20	Y5U	50
B8XC0112-33N	7	4700	+80/-20	FZ	50

● 7 Elements B8ZC Series



Part Number	Number of Elements	Capacitance (pF)	Cap. Tolerance (%)	TC	Rated Voltage (Vdc)
B8ZC0111-33N	7	8200	+80/-20	FZ	50

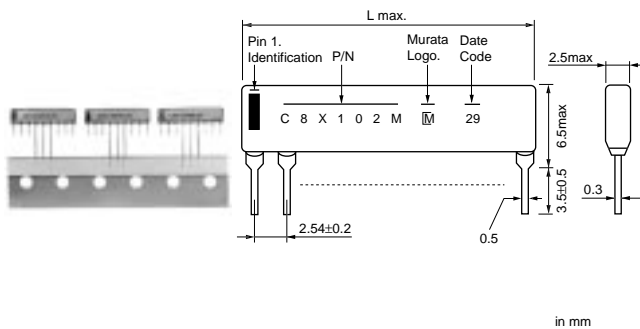
● 8 Elements BXXC Series



100 **Note** • This catalog has only typical specifications because there is no space for detailed specifications. Therefore, please approve our product specifications or transact the approval sheet for product specifications before ordering. Especially, please read rating and **CAUTION** (for storage, operating, rating, soldering, mounting and handling) in them to prevent smoking and/or burning, etc.
• You are able to read a detailed specifications in the website (<http://search.murata.co.jp/>) before to require our product specifications or to transact the approval sheet for product specifications.

Part Number	Number of Elements	Capacitance (pF)	Cap. Tolerance (%)	TC	Rated Voltage (Vdc)
B9HC0118-33N	8	100	±10	Y5P	50
B9HC0117-33N	8	220	±10	Y5P	50
B9HC0119-33N	8	330	±20	Y5P	50
B9HC0115-33N	8	470	±20	Y5P	50
B9HC0116-33N	8	560	±20	Y5P	50
B9HC0114-33N	8	1000	±20	Y5P	50
B9HC0113-33N	8	2200	+40/-20	Y5U	50

● Low Profile CGSD Series



Part Number	Number of Elements	Capacitance (pF)	Cap. Tolerance (%)	TC	Rated Voltage (Vdc)
CGSD4X101M-T21	4	100	±20	Y5P	50
CGSD4X221M-T21	4	220	±20	Y5P	50
CGSD4X331M-T21	4	330	±20	Y5P	50
CGSD4X102M-T21	4	1000	±20	Y5R	50
CGSD4X222M-T21	4	2200	±20	Y5R	50
CGSD4X103N-T21	4	10000	±30	Y5R	16
CGSD6X101M-T21	6	100	±20	Y5P	50
CGSD6X221M-T21	6	220	±20	Y5P	50
CGSD6X331M-T21	6	330	±20	Y5P	50
CGSD6X102M-T21	6	1000	±20	Y5R	50
CGSD6X222M-T21	6	2200	±20	Y5R	50
CGSD6X103N-T21	6	10000	±30	Y5R	16
CGSD8X101M-T21	8	100	±20	Y5P	50
CGSD8X221M-T21	8	220	±20	Y5P	50
CGSD8X331M-T21	8	330	±20	Y5P	50
CGSD8X102M-T21	8	1000	±20	Y5R	50
CGSD8X222M-T21	8	2200	±20	Y5R	50
CGSD8X103N-T21	8	10000	±30	Y5R	16

⚠Note • This catalog has only typical specifications because there is no space for detailed specifications. Therefore, please approve our product specifications or transact the approval sheet for product specifications before ordering. Especially, please read rating and ⚠CAUTION (for storage, operating, rating, soldering, mounting and handling) in them to prevent smoking and/or burning, etc.
• You are able to read a detailed specifications in the website (<http://search.murata.co.jp/>) before to require our product specifications or to transact the approval sheet for product specifications.