

IBS Electronics, Inc.

3506 Lake Center Dr. Santa Ana, CA 92704 USA

CORE

P/N: 2743002111 Loose/ 2743002112 Tape MANUFACTURER: FAIR RITE

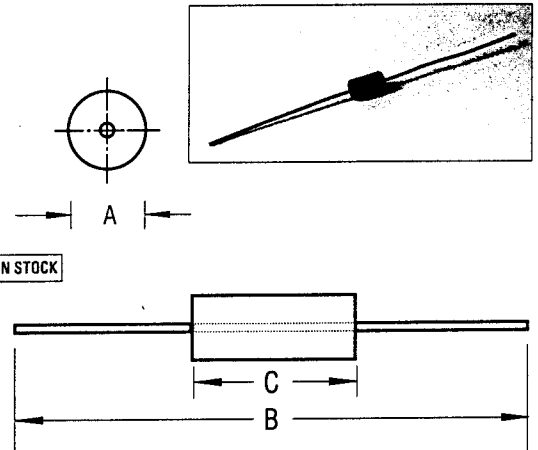
Dimensions (Bold numbers are in millimeters, light numbers are in inches)

Part Number*	Dimensions				Impedance* (Ω)					
	A	B	C	D	73		43		61	
					10 MHz Min.	25 MHz ±20%	25 MHz Min.	100 MHz ±20%	100 MHz Min.	250 MHz ±20%
27 -- 001112	3.5±0.25 .138	62.0±1.5 2.440	4.45±0.25 .175	0.65 22 AWG	38	61	39	68	50	90
27 -- 015112	3.5±0.25 .138	62.0±1.5 2.440	5.25±0.25 .206	0.65 22 AWG	44	68	43	82	61	100
27 -- 005112	3.5±0.25 .138	62.0±1.5 2.440	6.0±0.25 .236	0.65 22 AWG	50	78	48	91	70	113
27 -- 003112	3.5±0.25 .138	62.0±1.5 2.440	6.7±0.25 .263	0.65 22 AWG	56	86	52	100	78	125
27 -- 004112	3.5±0.25 .138	62.0±1.5 2.440	7.6±0.3 .300	0.65 22 AWG	64	99	60	110	90	144
27 -- 002112	3.5±0.25 .138	62.0±1.5 2.440	8.9±0.3 .350	0.65 22 AWG	75	115	70	133	105	168
27 -- 007112	3.5±0.25 .138	62.0±1.5 2.440	9.5±0.3 .374	0.65 22 AWG	88	135	77	150	112	180
27 -- 008112	3.5±0.25 .138	62.0±1.5 2.440	11.4±0.4 .450	0.65 22 AWG	100	156	93	180	135	213
27 -- 009112	3.5±0.25 .138	62.0±1.5 2.440	13.8±0.5 .545	0.65 22 AWG	121	190	114	220	163	258
2743012201*	9.8±0.3 .385	62.0±1.5 2.440	11.4±0.4 .449	0.8 20 AWG	-	-	154	271	-	-
2743013211*	9.8±0.3 .385	62.0±1.5 2.440	14.0±0.5 .550	0.8 20 AWG	-	-	188	331	-	-
2743014221*	9.8±0.3 .385	62.0±1.5 2.440	16.5±0.5 .650	0.8 20 AWG	-	-	224	391	-	-

* Insert desired material in 3rd and 4th digit positions.

* Not available taped and reeled.

* Impedance is measured on 73 and 43 material beads with the HP 4193A and on beads in 61 material with the HP 4191A.



PQ CLAMPS

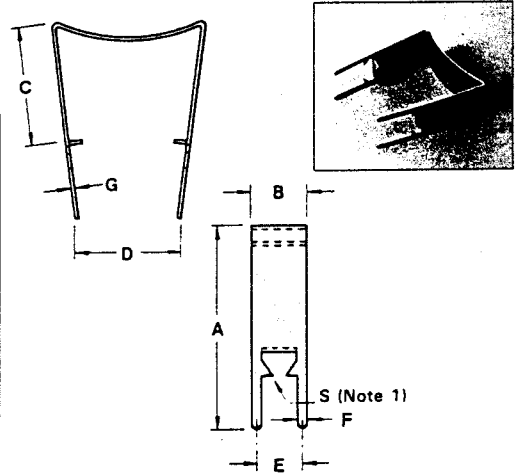
P/N: C3220-17 MANUFACTURER: SIEMENS

MOUNTING CLAMPS for PQ CORES

Material: Nickel Silver

NOMINAL DIMENSIONS (Inches)

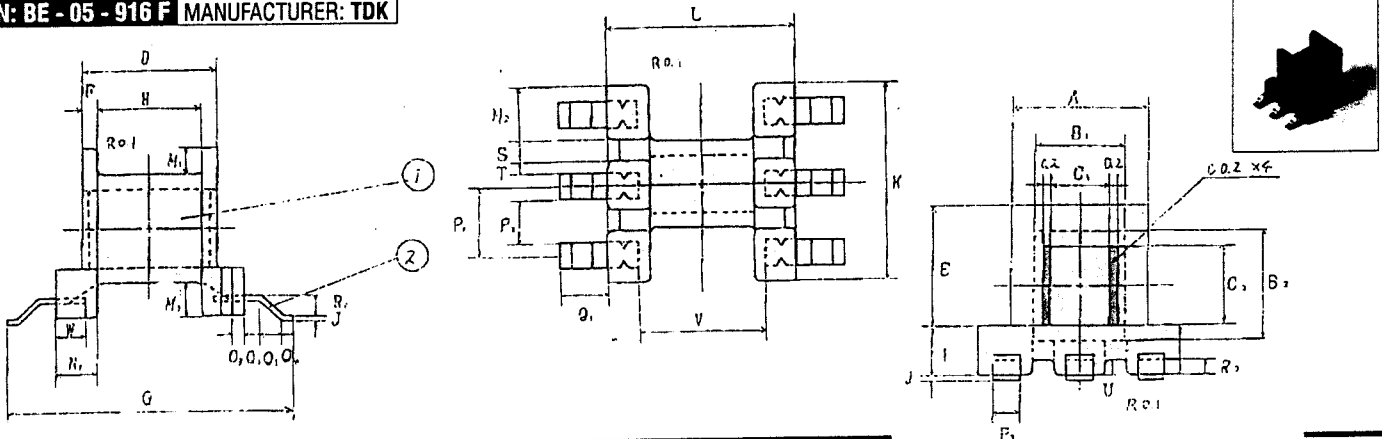
PART NO.	A ± .020	B ± .003	C ± .010	D REF.	E NOM.	F NOM.	G ± .0005
C2016-12	1.142	.311	.689	.590	.252	.059	.012
C2020-12	1.299	.311	.846	.590	.252	.059	.012
C2620-12	1.299	.413	.846	.827	.354	.059	.012
C2625-12	1.476	.413	1.028	.827	.354	.059	.012
C3220-17	1.437	.484	.866	1.063	.417	.067	.017
C3230-17	1.831	.484	1.252	1.063	.417	.067	.017
C3535-17	1.988	.500	1.425	1.181	.445	.067	.017
C4040-17	2.185	.531	1.622	1.378	.464	.067	.017



(1) Tab "S" provides a standoff of .125" from the core to mounting surface. Clamp is available without tab (not normally stocked). To order without tab, add ".01" to part number.

BOBBINS

P/N: BE - 05 - 916 F MANUFACTURER: TDK



TOLL FREE: 800-527-2888

SEE US ON THE INTERNET
Http://www.ibs-elec.com

ISO9002
CERTIFIED

INTERNATIONAL TOLL FREE NUMBER
AVAILABLE FOR O.E.M. UPON REQUEST

