



**TAC9238 Series**

**Size:** 3.64 in sq. x 1.5 in. thk  
(92.5mm sq. x 38mm thk.)

**Airflow:** 30 - 45 CFM

**Acoustical Noise:** 24 - 37 dB (A)

**MATERIAL:** Frame - Aluminum Alloy, Painted Black Finish  
Bearings - Sealed Ball  
Impeller - UL94V-0 Plastic

**WEIGHT:** 14.3 oz. (405g)

**TERMINATION:** Lead wires

**OPERATION TEMPERATURE:** -20° to +80°C

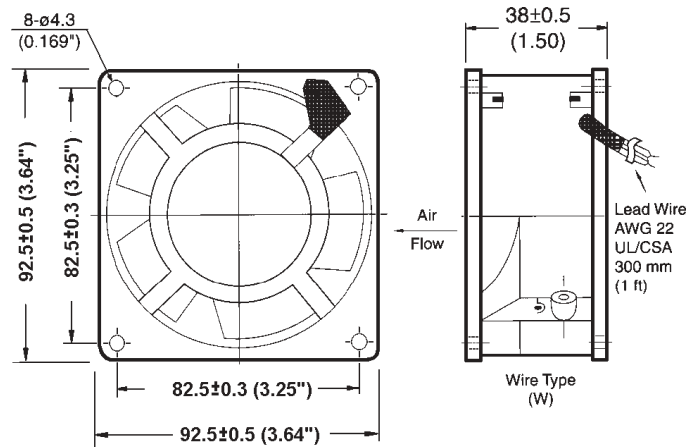
**INSULATION RESISTANCE:** 10 Megohms min @ 500 VDC

**DIELECTRIC STRENGTH:** 1,500 VAC for 1 min.

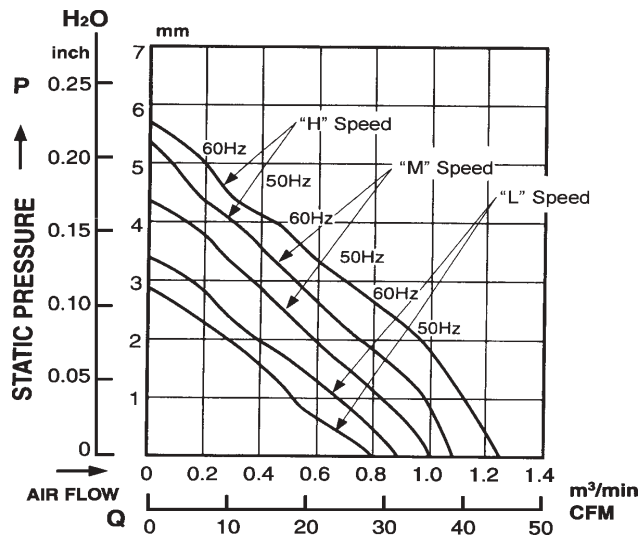
**INSULATION:** Class B

**SAFETY:** Impedance Protected

**SAFETY APPROVALS:** UL 106227 & CSA LR702499 (Applies to single voltage models only)  
CE (Applies to 230V models only)



**PERFORMANCE CURVES:** (Obtained with test chamber and methods in accordance with AMCA Std. 210-74)



**SPECIFICATIONS:** (Based on 60 Hz Frequency)

| PART NUMBER  | VOLTS     | WATTS      | mAMPS | RPM  | NOISE dB (A) @ 1M | CFM |
|--------------|-----------|------------|-------|------|-------------------|-----|
| TAC9238115HW | 115       | 9.0        | 120   | 3000 | 34                | 45  |
| TAC9238115MW | 115       | 7.0        | 100   | 2500 | 27                | 40  |
| TAC9238115LW | 115       | 6.0        | 70    | 2200 | 25                | 30  |
| TAC9238230HW | 230       | 13.0       | 120   | 3000 | 34                | 45  |
| TAC9238230MW | 230       | 11.0       | 80    | 2500 | 27                | 40  |
| TAC9238230LW | 230       | 9.0        | 70    | 2200 | 25                | 30  |
| TAC9238345HW | 115 / 230 | 9.0 / 13.0 | 120   | 3000 | 34                | 45  |

**NOTE:** Standard models with wire leads (Terminals not available)