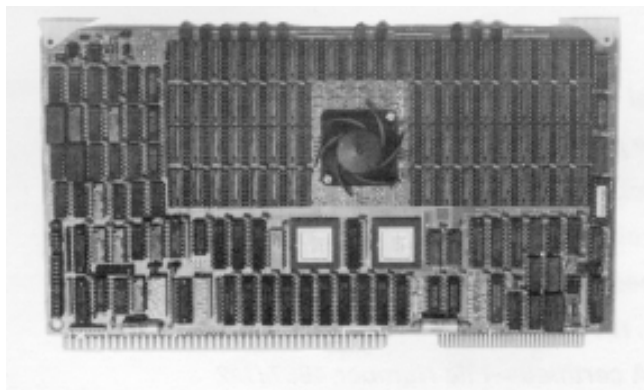


# DC Brushless PCB MOUNTABLE FAN TFDDM50BM Series

## FEATURES:

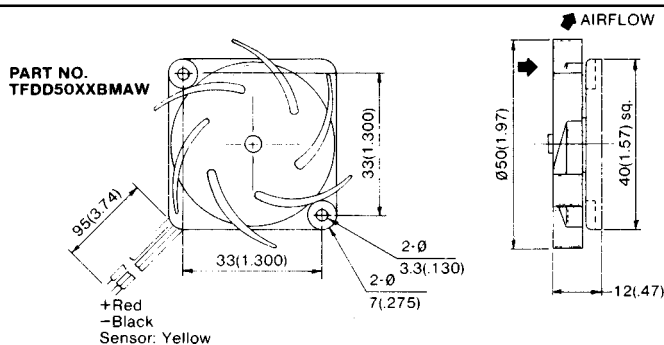
- PC board mountable
- Ultra miniature size - 50mm (1.97") sq. x 12mm (0.47") thick
- Failure sensor standard all models.
- Available in 5, 12 and 24 volt DC.
- Efficient solid state design
- Minimum EMI/RFI emissions
- Low power draw
- Impedance and polarity protected



**MATERIAL:** Frame & Impeller - PET  
 Bearings- Ball  
 Lead Wires - AWG #26  
 All materials UL recognized

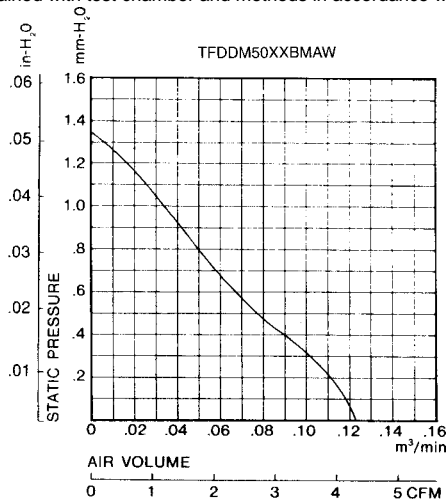
**WEIGHT:** 40 g (1.43 ounces)

**DIMENSIONS:** Millimeters (inches)

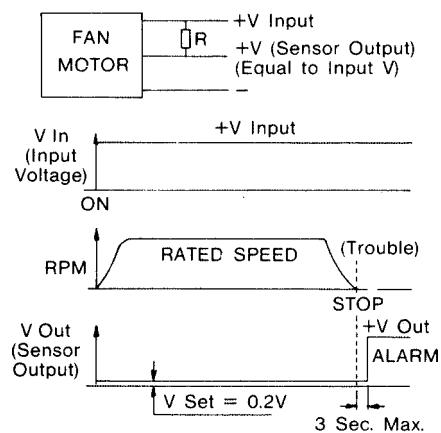


## PERFORMANCE CURVES:

(Obtained with test chamber and methods in accordance with AMCA Std. 210-74)



## Sensor Circuit:



## PART NUMBERS AND SPECIFICATIONS:

PART NUMBERS	VOLTAGE VAC	Maximum VDC	CURRENT mA	RPM	AIRFLOW		NOISE dB(A)	
					CFM	M <sup>3</sup> /MIN	@ 1.0m	@ 1.5m
TFDDM5005BMAW	5	5.75	100	3300	4.2	0.12	27.5	24
TFDDM5012BMAW	12	13.8	40	3300	4.2	0.12	27.5	24
TFDDM5024BMAW	24	27.6	25	3300	4.2	0.12	27.5	24

Sensor Electrical Requirements			
Fan Voltage	Resistor Value	Sensor Current	Sensor Output V
5v	.5K Ohm	10mA max	5V
12v	2.4K Ohm	5mA max	12V
24v	4.8K Ohm	5mA max	24V



**U.S. TOYO FAN CORPORATION**

4915 Walnut Grove Ave.  
 San Gabriel, California 91776

(626) 287-5297

FAX (626) 287-7350

www.ustoyofan.com

E-mail: sales@ustoyofan.com