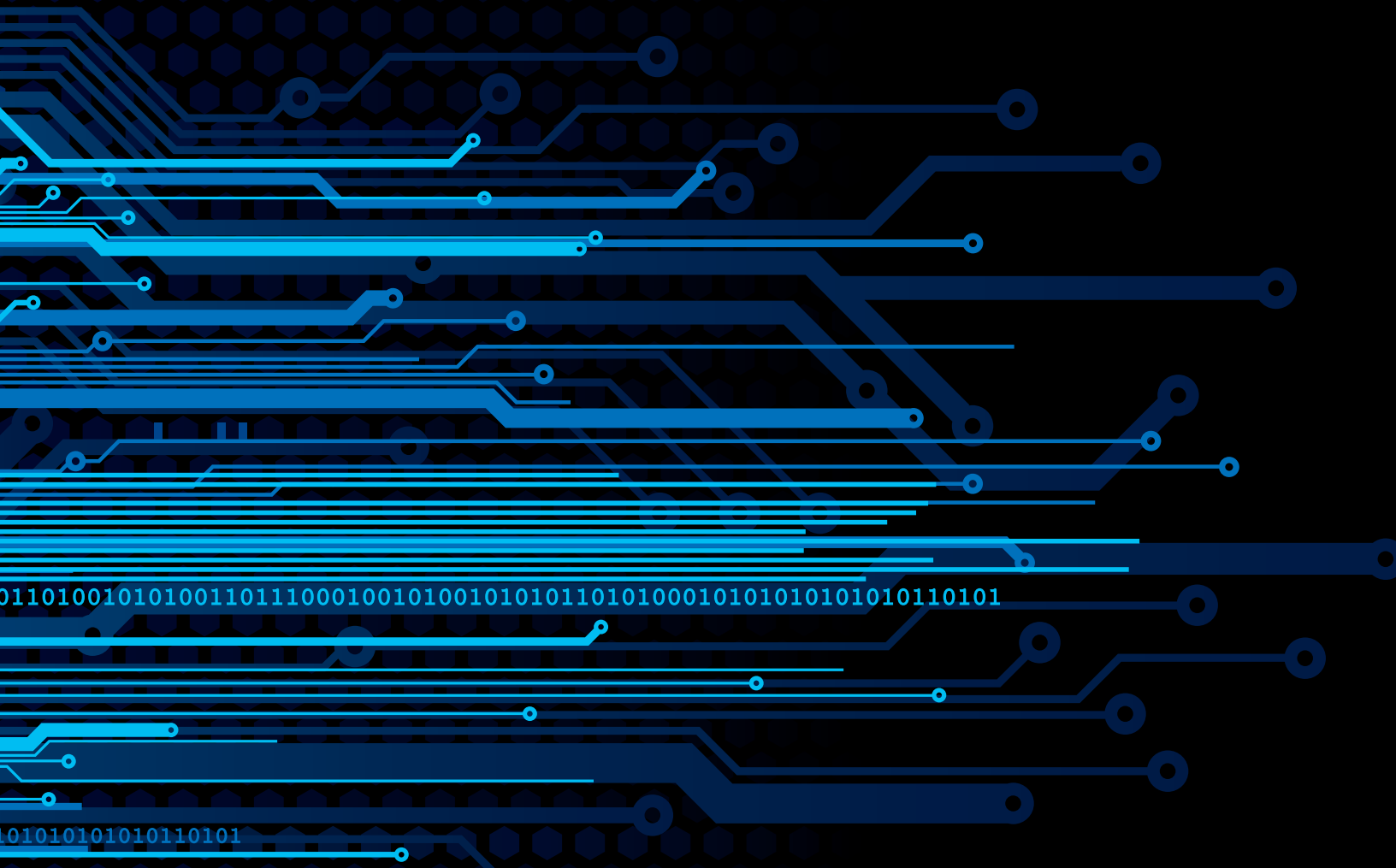


# 2011 MINI CATALOG RESISTOR NETWORKS



Same Day Shipping • Engineering Kits • Value-Added Services • Complete Line of SMT Components



VENKEL LTD.



[www.venkel.com](http://www.venkel.com)  
(800) 950-8365

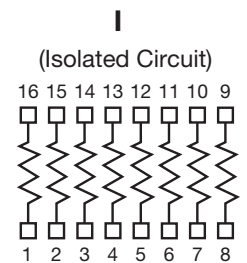
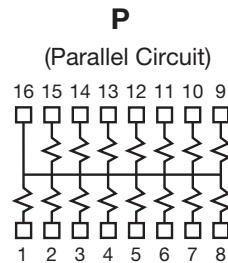
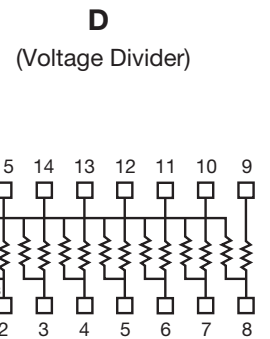
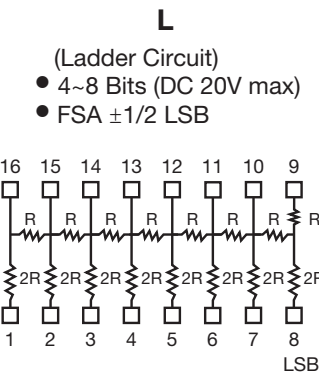
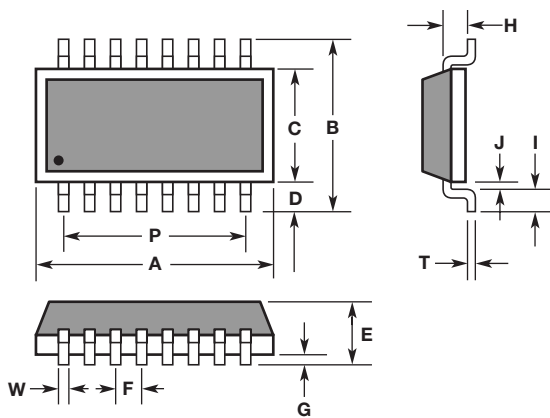
# Surface Mount Resistor Networks

“THR-MG” is a MINI FLAT Surface Mount Resistor Network having high quality thick film resistors sealed in a molded package.

## Features

- Surface Mount Applications
- Maximum seated height of 1.70 mm (0.070")
- Short terminal pitch (lead spacing) of 1.27 mm (0.050")
- Compatible with all Surface Mounting Equipment

## Dimensions



Unit: mm

A	B	C	D	E	F	G	H	I	J	P	T	W
11.0	7.7	5.7	1.0	1.7	1.27	0.1	0.75	0.3	0.5	8.89	0.18	0.4
$\pm 0.2$	$\pm 0.2$	max.	$\pm 0.1$	$\pm 0.2$	$\pm 0.2$	$\pm 0.05$	max.	min.	max.	$\pm 0.1$	$\pm 0.02$	$\pm 0.05$

## Rating

Requirements	MGI	MGP
Number of Terminals	16 Pin	
Rated Environmental Temp.	70°C	
Element Rated Power	160mW	80mW
Overall Rated Power	1.28W	1.2W
Max. Operating Voltage	50V	
Operating Temp. Range	-55°C ~ +125°C	
Temperature Coefficient of Resistance	+100PPM/°C	+200PPM/°C
Resistance Value Tolerance	$\pm 2\%$ (G) $\pm 5\%$ (J) $\pm 10\%$ (K)	
Resistance Value Range	33 ohms ~ 2.2M ohms	

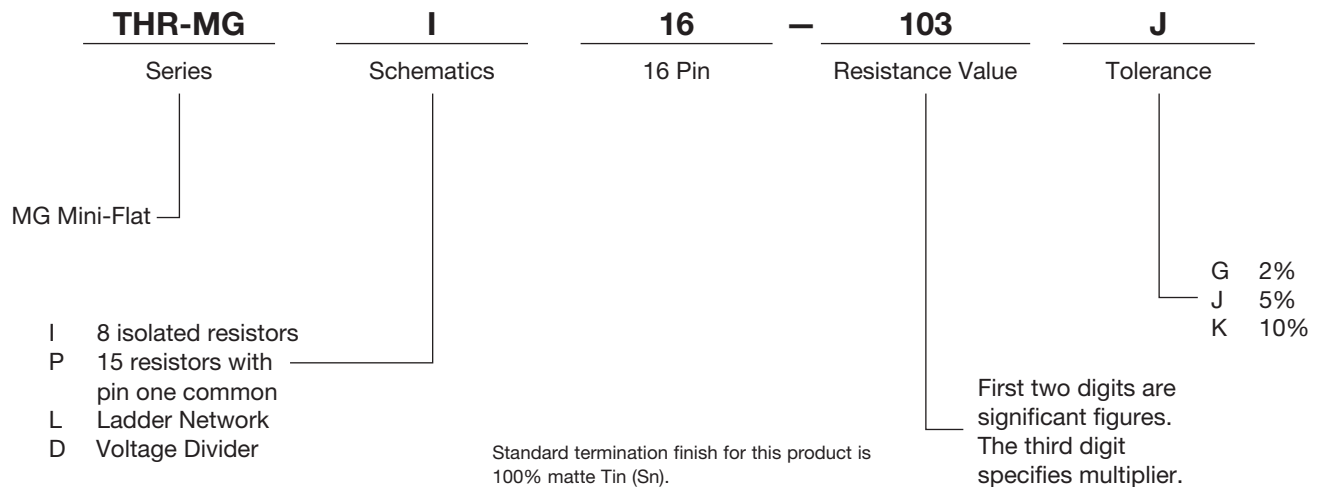
All components in this section are RoHS compliant per the EU directives and definitions.

## Characteristics

Test method EIAJ-RC-2680;MIL-R-8340IC

Requirements	Characteristics
Short-time Overload	$\pm(0.5\% \pm 0.05 \Omega)$
Temperature Cycling	$\pm(0.5\% \pm 0.05 \Omega)$
Resistance to Soldering Heat	$\pm(0.5\% \pm 0.05 \Omega)$
Dielectric with Standing V	$\pm(0.5\% \pm 0.05 \Omega)$
Insulation Resistance	Over $10^4 M$
Terminal Strength (Pull)	$\pm(0.5\% \pm 0.05 \Omega)$
Terminal Strength (Bend)	$\pm(0.5\% \pm 0.05 \Omega)$
Moisture Resistance Load Life	$\pm(1\% \pm 0.05 \Omega)$
Load Life	$\pm(2\% \pm 0.05 \Omega)$

## How To Order



Please consult your sales representative for further specific requirements such as: Resistance values; tolerances; ratio matching; and circuit construction.

Same Day Shipping ▪ Engineering Kits ▪ Value-Added Services ▪ Complete Line of SMT Components

## Full line of SMT passive components

### **Ceramic Chip Capacitors**

C Series

### **High Voltage Ceramic Chip Capacitors**

HVC Series

### **Low Inductance Chip Capacitors**

LIC Series

### **High-Q NPO Chip Capacitors**

HQN Series

### **Tantalum Chip Capacitors**

TCM Series, TCR Series

### **Chip Resistors**

CR Series

### **Low Value Chip ResistorsL**

CR Series

### **Ultra Low Value Chip Resistors**

ULCR Series

### **Thick Film Chip Resistors -**

#### **Anti-Sulfuration**

CRS Series

### **Rectangular Thin Film Chip Resistors**

TFCR Series

### **Ultra Precision Thin Film Chip Resistors**

UPTF Series

### **High Value Chip Resistors**

HMCR Series

### **Precision High Value Chip Resistors**

PHCR Series

### **Chip Resistor Arrays**

CRN Series

### **Trimmable Chip Resistors**

TRCR Series

### **NTC Chip Thermistors**

NTC Series

### **Surface Mount Resistor Networks**

THR Series

### **Multilayer Chip Inductors**

MLF Series

### **Low Value Multilayer Chip Inductors**

LMCI Series

### **Wire Wound Chip Inductors**

NL Series

### **Miniature RF Chip Inductors**

MRFI Series

### **Common Mode Choke Coils**

CMCC Series

### **Ferrite Beads**

FBS/FBM/FBC Series

### **Surface Mount Engineering Kits**



VENKEL LTD.

VENKEL LTD.  
5900 SHEPHERD MOUNTAIN COVE  
AUSTIN, TX 78730  
www.venkel.com  
sales@venkel.com

