



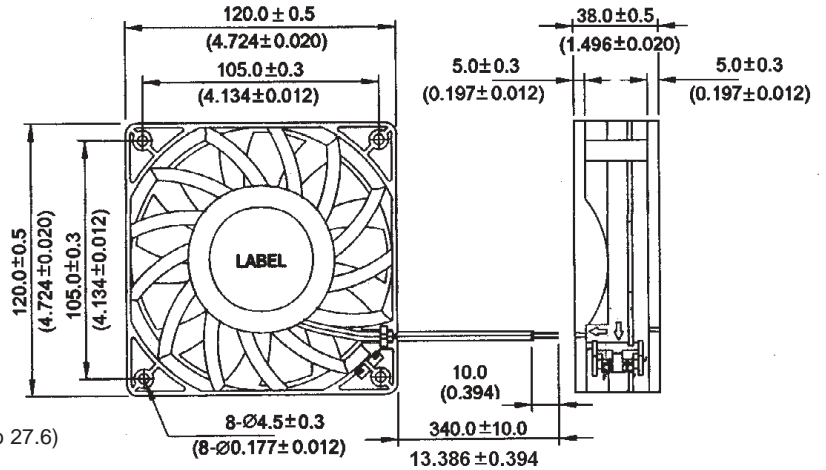
**USTF12038HF Series
(High Flow Series)**

Size: 4.72 in sq. x 1.5 in. thk
(120mm sq. x 38mm thk.)

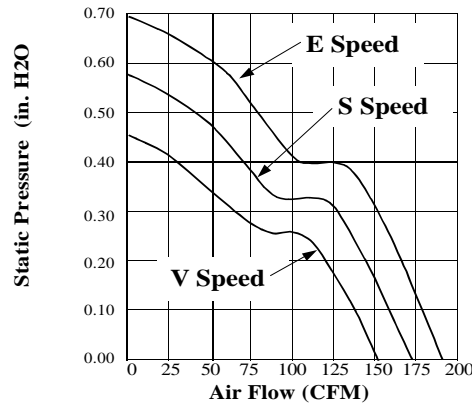
Airflow: 151.8 - 190 CFM

Acoustical Noise: 53.0 to 59.0 dB (A)

- MATERIAL:** Frame - Black PBT (UL 94V-0)
Bearings - Ball
Impeller - Black PBT (UL 94V-0)
- WEIGHT:** 13.05 oz. (370 g)
- TERMINATION:** Lead Wires (UL 1007, AWG24 or equivalent)
- OPERATING TEMPERATURE:** -10° to +70°C
- INSULATION RESISTANCE:** 10 megohms min @ 500 VDC
- DIELECTRIC STRENGTH:** 500 VAC for 1 min.
- INSULATION:** Class A
- SAFETY:** Impedance & Polarity Protected
- SAFETY APPROVALS:** UL, CSA & VDE
- OPERATING VOLTAGE:** 12 VDC (7 to 13.2) - 24 VDC (14 to 27.6)
48 VDC (28 to 53)



PERFORMANCE CURVES: (Obtained with test chamber and methods in accordance with AMCA Std. 210-74)



SPECIFICATIONS: (All values are typical)

PART NUMBER	VOLTS	WATTS	AMPS	RPM	NOISE dB (A) @ 1M	CFM
USTF1203812HFEW	12VDC	24.00	2.00	4000	59.0	190.0
USTF1203812HFSW	12VDC	18.00	1.50	3600	56.5	170.9
USTF1203812HFVW	12VDC	12.00	1.00	3200	53.0	151.8
USTF1203824HFEW	24VDC	24.00	1.00	4000	59.0	190.0
USTF1203824HFSW	24VDC	19.20	0.80	3600	56.5	170.9
USTF1203824HFVW	24VDC	13.44	0.56	3200	53.0	151.8
USTF1203848HFEW	48VDC	24.00	0.50	4000	59.0	190.0
USTF1203848HFSW	48VDC	18.24	0.38	3600	56.5	170.9
USTF1203848HFVW	48VDC	13.44	0.28	3200	53.0	151.8

MODELS AVAILABLE ON REQUEST:

Failure Detector - rotation sensing - Add Suffix "SR" to part number
Speed Controller - tach output - Add Suffix "SF" to part number