



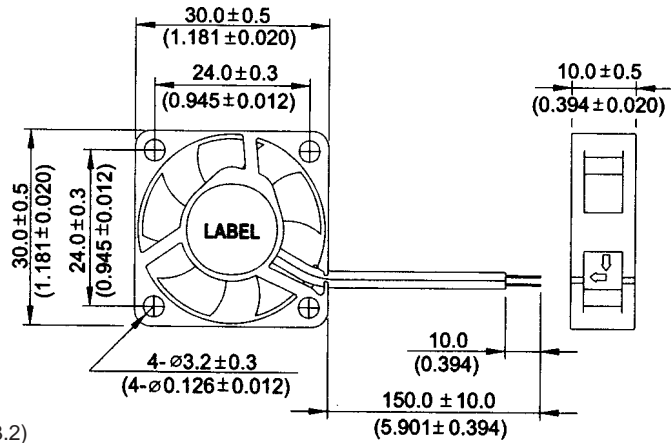
USTF3010 Series

Size: 1.182 in sq. x 0.39 in. thk
(30mm sq. x 10mm thk.)

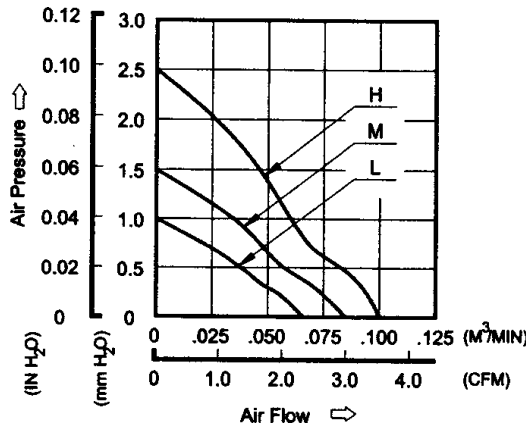
Airflow: 2.3 - 3.5 CFM

Acoustical Noise: 17.5 - 25.0 dB (A)

- MATERIAL:** Frame - Black PBT (UL 94V-0)
Bearings - Ball
Impeller - Black PBT (UL 94V-0)
- WEIGHT:** 0.3 oz. (9g)
- TERMINATION:** Lead Wires (UL 1007, AWG24)
- OPERATION TEMPERATURE:** -10° to +70° C
- INSULATION RESISTANCE:** 10 megohms min @ 500 VDC
- DIELECTRIC STRENGTH:** 500 VAC for 1 min.
- INSULATION:** Class A
- SAFETY:** Impedance & Polarity Protected
- SAFETY APPROVALS:** UL, CSA & VDE
- OPERATING VOLTAGE:** 5 VCD (4.0 TO 6.0) - 12 VDC (7.0 to 13.2)



PERFORMANCE CURVES: (Obtained with test chamber and methods in accordance with AMCA Std. 210-74)



SPECIFICATIONS: (All values are typical)

| PART NUMBER | VOLTS | WATTS | AMPS | RPM | NOISE dB (A) @ 1M | CFM |
|--------------|-------|-------|------|------|----------------------|------|
| USTF301005LW | 5VDC | 0.35 | 0.07 | 6000 | 17.5 | 2.37 |
| USTF301005MW | 5VDC | 0.55 | 0.11 | 7500 | 20.0 | 3.00 |
| USTF301005HW | 5VDC | 0.80 | 0.16 | 9000 | 25.0 | 3.53 |
| USTF301012LW | 12VDC | 0.60 | 0.05 | 6000 | 17.5 | 2.37 |
| USTF301012MW | 12VDC | 0.84 | 0.07 | 7500 | 20.0 | 3.00 |
| USTF301012HW | 12VDC | 1.08 | 0.09 | 9000 | 25.0 | 3.53 |

MODELS AVAILABLE ON REQUEST:

Failure Detector - rotation sensing - Add Suffix "SR" to part number
Speed Controller - tach output - Add Suffix "SF" to part number