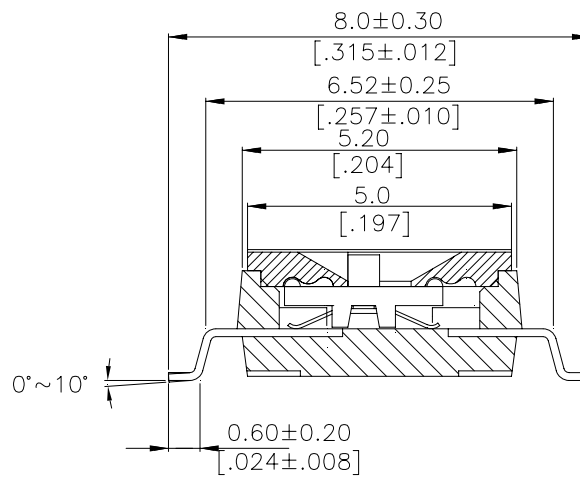
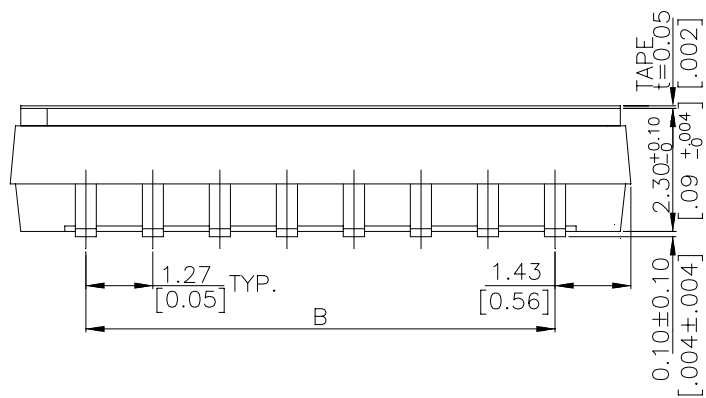
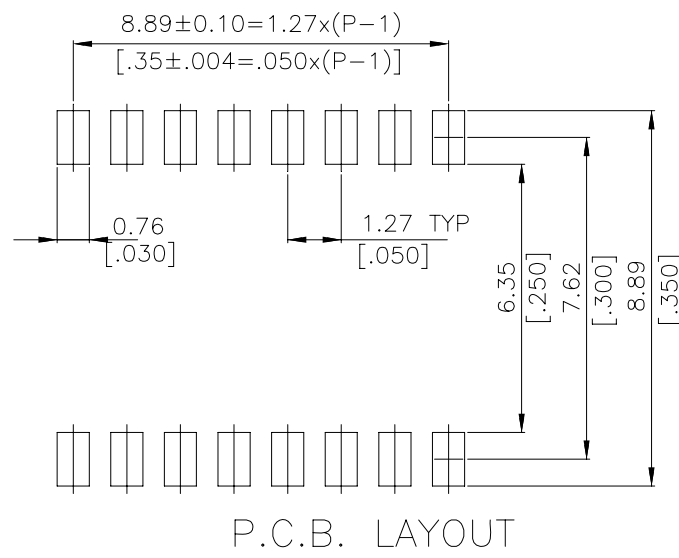
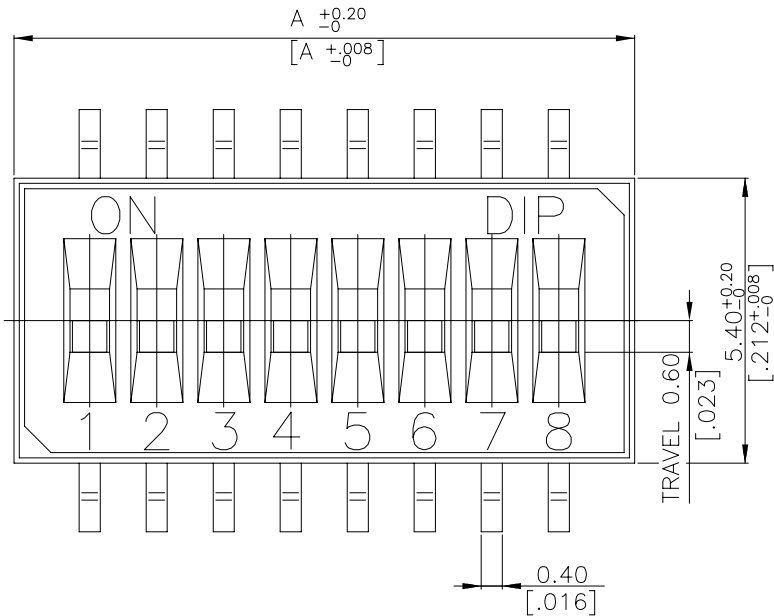


HDS SERIES



DIMENSIONS

HDS



HDS-12	12	16.83 [.663]	13.97 [.550]
HDS-08	8	11.58 [.456]	8.89 [.350]
PROD. NO.	NO. OF POS.	DIM.A	DIM.B

General Tolerance : ± 0.2 mm

HOW TO ORDER

HDS - □ - □ - □ □

Package Style :

□ = Tube

T/R = Tape & Reel

Soldering :

V = Lead Free Solderable

Q = Halogen Free

Sealed :

□ = Without Tape

T = Top Tape Sealed

Number Of Positions :

08 = 8 Positions

12 = 12 Positions

Half Pitch Type Dip Switch {H = 2.3 mm}

SPECIFICATION

△MECHANICAL

Mechanical Life: 2,000 cycles

Operation Force: 600gf max.

Stroke: 0.6mm

Operation Temperature: -20°C to +70°C

Storage Temperature: -40°C to +85°C

△ELECTRICAL

Electrical Life: 2,000 operations cycles per switch 24VDC, 25mA

Non-Switching Rating: 100mA, 50VDC

Switching Rating: 25mA, 24VDC

Contact Resistance: 100mΩ max. at initial

Insulation Resistance: 100MΩ min. (at 500VDC)

Dielectric Strength: 300VAC / minute

Capacitance: 5pF max.

Circuit: Single pole single throw.

MATERIAL

△BASE: UL94V-0 High-Temp Thermoplastic.

Color: Black

△COVER: UL94V-0 High-Temp Thermoplastic.

Color: Black

△ACTUATOR: UL 94V-0 High-Temp Thermoplastic

Color: White

△CONTACT: Alloy Copper

△Terminal: Brass

△CONTACT PLATING: Gold plated over nickel

△TERMINAL PLATING: Gold plated

△TAPE: KAPTON

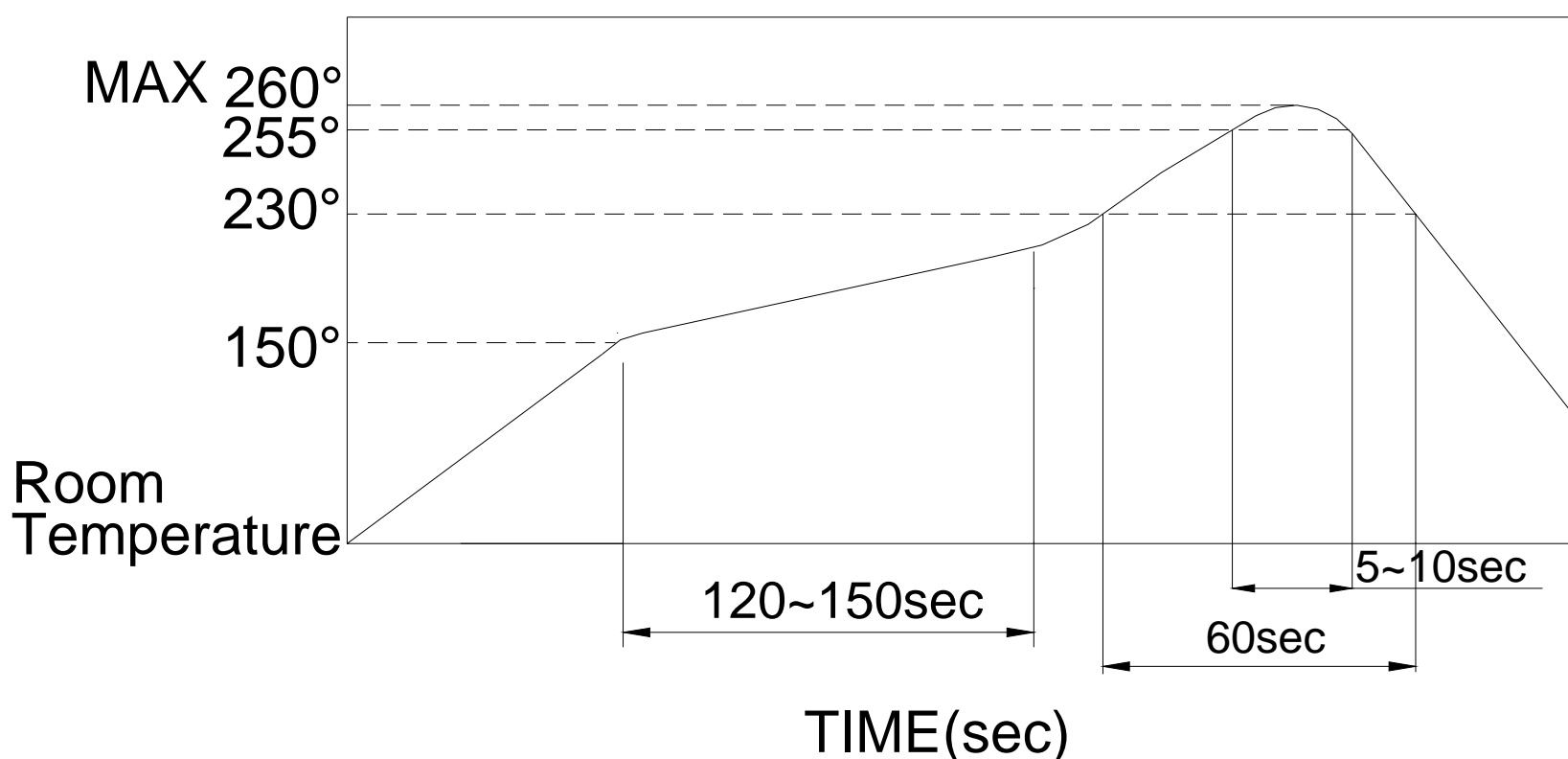
SOLDERING PROCESS

△Caution on Cleaning:

1. Only seal tape type apply to washing process.
2. Do not remove the seal tape before washing.
3. After soldering process, do not continue the washing process immediately. Please wait for at least 3 minutes.
4. Apply alcoholic solvents as cleaning agent do not use other solvents or water.
5. Ultrasonic cleaning is unavailable.
6. The cleaning process per stage is 1 minute max and the whole cleaning times do not exceed 3 minutes.
7. Do not impose any external force on switch while washing

REFLOW SOLDERING

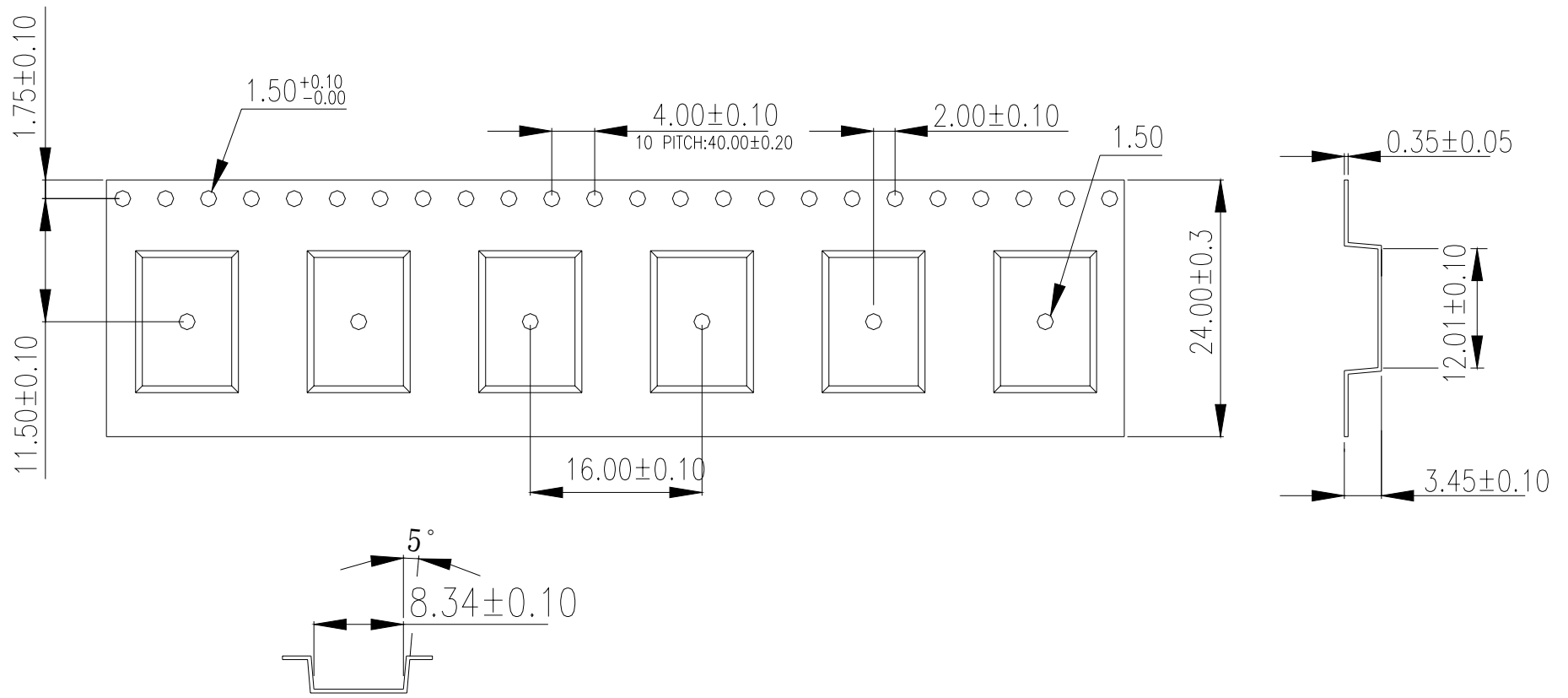
△Temperature Profile(reference)



PACKING

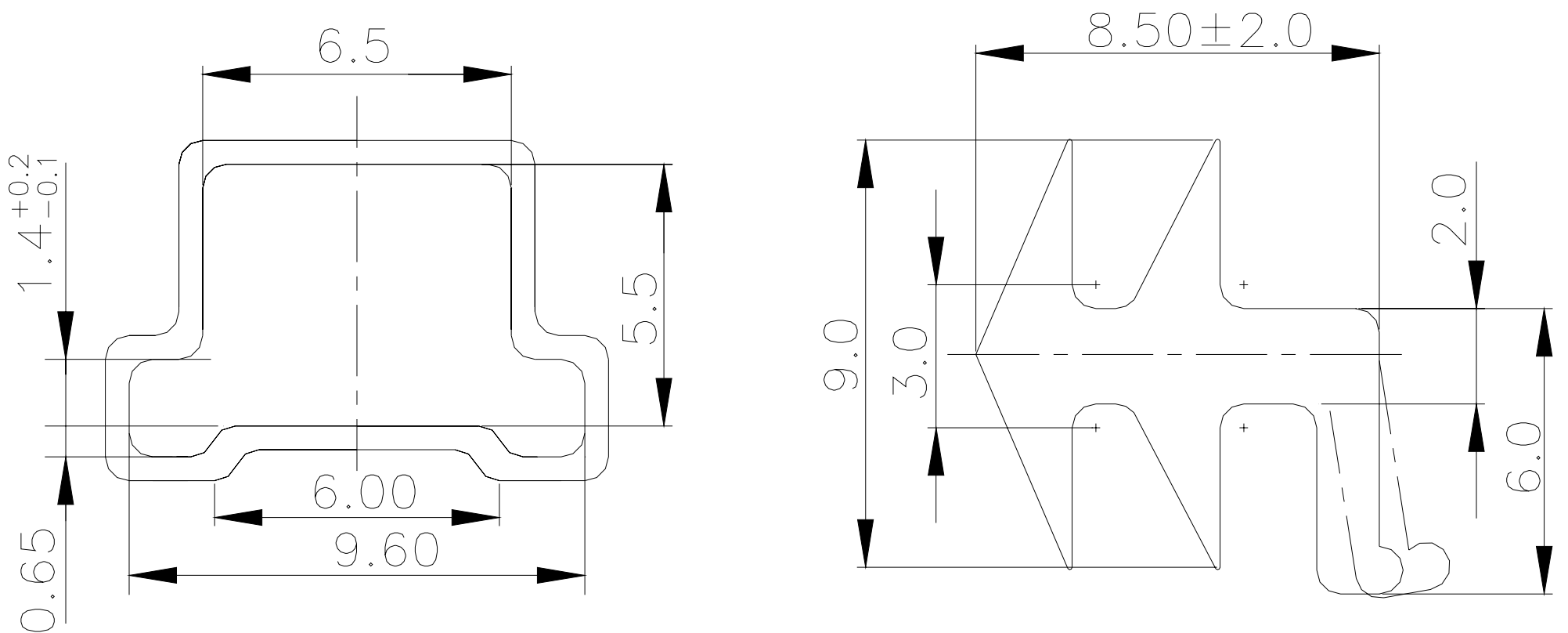
Part Number	Number Per Tube	Number Per Reel
HDS-08	40	1000
HDS-12		1000

HDS REEL



General Tolerance : ± 0.1 mm

HDS TUBE



General Tolerance : ± 0.2 mm