

MD Connector

[Multiple Data Connector]

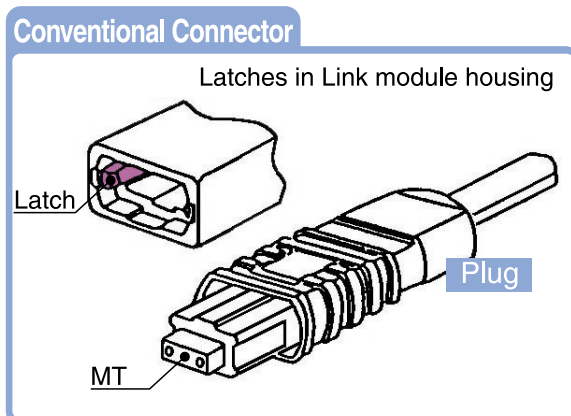
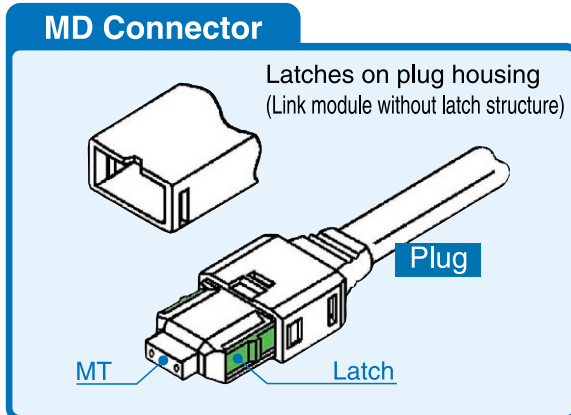
● Features

- For optical fiber ribbon and cord
- One-touch connection (push-pull type) using MT ferrule
- Compact design

● Specifications

Description	Unit	Specification	
Fiber	—	SM	MM
Polish	—	APC(8°)	UPC
No. of core	—	4, 8, 12	
Dimension	mm	30×14×7	
Connection loss	dB	≤1.0*	
Return loss	dB	≥55	—

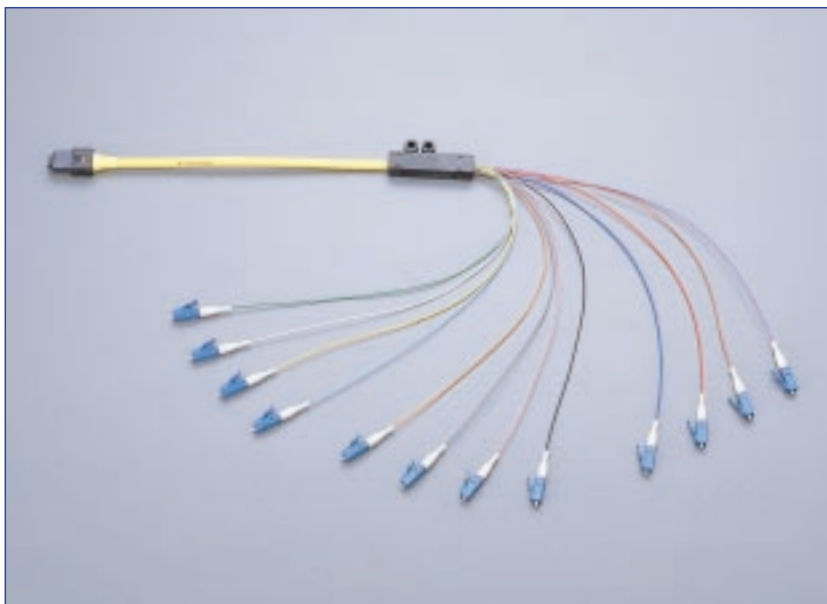
* Low loss type is available.



● Assembly



▲ Cord with MD Connectors



▲ Fan-out cord with MD Connector and LC Connectors