



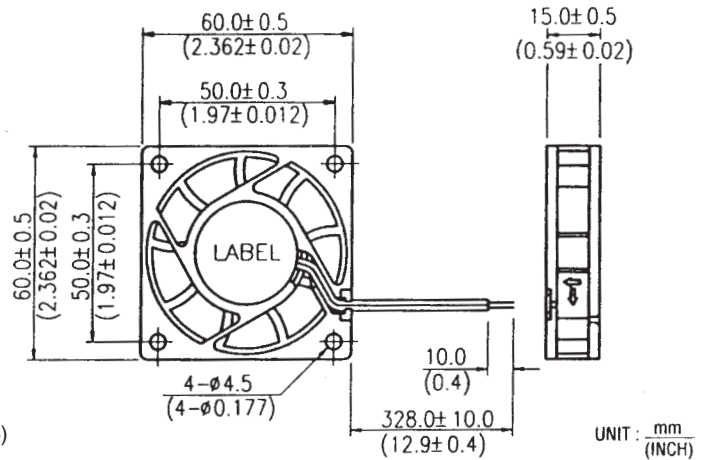
**USTF6015 Series**

**Size:** 2.36 in. sq. x 0.59 in. thk  
(60mm sq. x 15mm thk.)

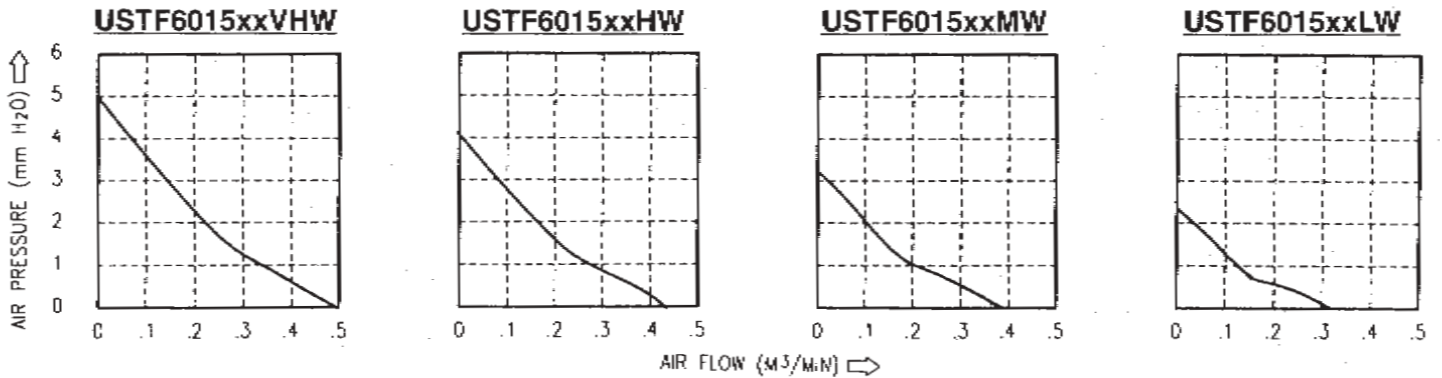
**Airflow:** 11.5 - 17.3 CFM

**Acoustical Noise:** 24.0 - 35.0 dB (A)

- MATERIAL:** Frame - Black PBT (UL 94V-0)  
Bearings - Ball  
Impeller - Black PBT (UL 94V-0)
- WEIGHT:** 1.55 oz. (44g)
- TERMINATION:** Lead Wires (UL 1007, AWG24 or equivalent)
- OPERATION TEMPERATURE:** -10° to +70° C
- INSULATION RESISTANCE:** 10 megohms min @ 500 VDC
- DIELECTRIC STRENGTH:** 500 VAC for 1 min.
- INSULATION:** Class A
- SAFETY:** Impedance & Polarity Protected
- SAFETY APPROVALS:** UL, CSA & VDE
- OPERATING VOLTAGE:** 12 VDC (7 to 13.8) 24 VDC (14 to 27.6)



**PERFORMANCE CURVES:** (Obtained with test chamber and methods in accordance with AMCA Std. 210-74)



**SPECIFICATIONS:** (All values are typical)

PART NUMBER	VOLTS	WATTS	AMPS	RPM	NOISE dB (A) @ 1M	CFM
USTF601512VHW	12VDC	1.44	0.12	4500	35.0	17.3
USTF601512HW	12VDC	1.20	0.10	4000	32.0	15.4
USTF601512MW	12VDC	0.96	0.08	3500	29.0	13.4
USTF601512LW	12VDC	0.84	0.07	3000	24.0	11.5
USTF601524VHW	24VDC	2.40	0.10	4500	35.0	17.3
USTF601524HW	24VDC	1.92	0.08	4000	32.0	15.4
USTF601524MW	24VDC	1.44	0.06	3500	29.0	13.4
USTF601524LW	24VDC	0.96	0.04	3000	24.0	11.5

MODELS AVAILABLE ON REQUEST:

Failure Detector - rotation sensing - Add Suffix "SR" to part number  
Speed Controller - tach output - Add Suffix "SF" to part number