

Quartz Part Numbering Guide

Surface Mount

ADXSM Series

Package Type	ADXSM-351 ADXSM-364 ADXSM-365	pg9 pg10 pg11	ADXSM-463 ADXSM-481 ADXSM-571	pg12 pg13 pg14	ADXSM-572 ADX49SM ADX49SSM	pg15 pg16 pg16	ADX49SMP ADX49SMPI	pg17 pg17
Frequency Tolerance @ 25°C	±100ppm ±50ppm ±45ppm	A B C	±40ppm ±35ppm ±30ppm	D E F	±25ppm ±20ppm ±15ppm	G H I	±10ppm ±5ppm	J K
Frequency Stability Over Temperature	±100 ppm ±50 ppm ±45 ppm ±40 ppm	P Q R S	±35 ppm ±30 ppm ±25 ppm ±20 ppm	T U V W	±15 ppm ±10 ppm ±7.5 ppm ±5 ppm	X Y YY Z	±4 ppm ±3 ppm	ZZ ZY
Operating Temperature Range	0°C to +70°C -10°C to +60°C -20°C to +70°C -40°C to +75°C	1 2 3 4	-40°C to +85°C -40°C to +90°C 0°C to +55°C -40°C to +125°C	5 6 7 8	0°C to +50°C -10°C to +50°C -10°C to +70°C -30°C to +75°C	9 10 11 12	-30°C to +80°C -35°C to +80°C	13 14
Operating Mode	Fundamental 3rd Overtone	F 3	5th Overtone 7th Overtone	5 7	9th Overtone	9		
Load Capacitance	6 pF 6 10 pF 10 12 pF 12		15 pF 15 16 pF 16 18 pF 18		20 pF 20 22 pF 22 30 pF 30		32 pF 32 50 pF 50 Series S	
Options	Bulk Blank		Insulator Tab	I	Tape & Reel	T		
Frequency	MHz	M	KHz	K				

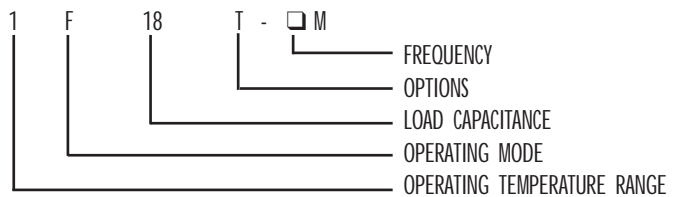
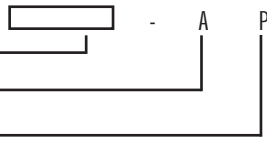
EXAMPLE

PACKAGE TYPE

FREQUENCY TOLERANCE @ 25°C

FREQUENCY STABILITY

OVER TEMPERATURE



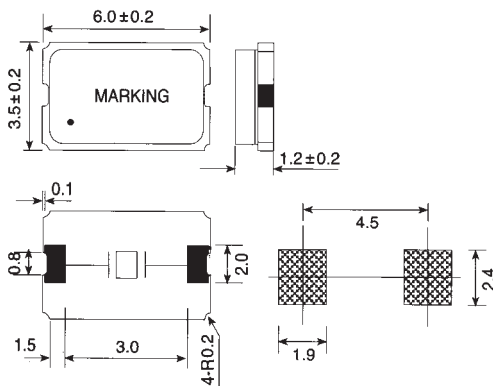
ADXSM-365



FEATURES

- Excellent cost to performance ratio.
- Compact size and low profile.
- Excellent frequency-temperature characteristics with smooth continuity.
- Surface mountability.
- Excellent solderability.
- Application: Microprocessor, Audio, Digital Cameras, etc.

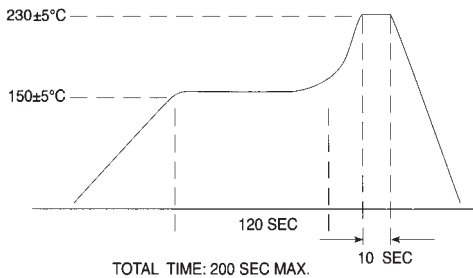
UNIT DIMENSION (unit: mm)



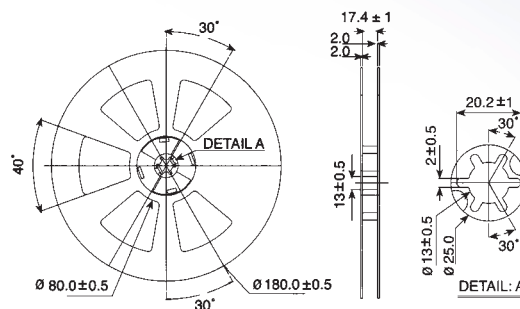
Bottom (Recommended Land Pattern)

- Smaller size available , please contact us for detail information .

SOLDERING REFLOW PROFILE



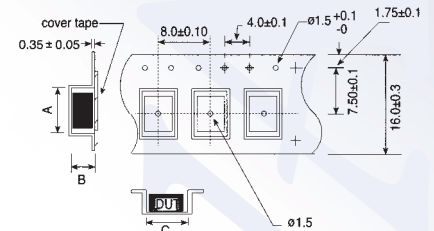
REEL PACKING



Tape reel 1000pcs/reel

TAPE SPECIFICATION
(UNIT: mm)

ADXSM-365 (A) 6.4 ±0.1
(B) 1.3 ±0.1 (C) 3.9 ±0.1



STANDARD SPECIFICATIONS

Package Type	ADXSM-365
Frequency Range (Fundamental)	12.000 ~ 45.000 MHz
Frequency Range (3rd Overtone)	45.000 ~ 80.000 MHz
Frequency Tolerance	±30ppm, ±50ppm, ±100ppm at 25°C
Drive Level	15μW, 30μW, 100μW, 500μW (Special request available)
Load Capacitance	Series, 6pF, 12pF, 20pF (Special request available)
Shunt Capacitance	7.0pF max. (Special request available)
Aging	±3 ppm, ±5 ppm/year

EQUIVALENT SERIES RESISTANCE (E.S.R.)

Frequency (MHz)	Vibration Code	E.S.R.
12.0 ~ 25.0	Fundamental	60 Ω
25.1 ~ 45.0	Fundamental	40 Ω
45.1 ~ 80.0	3rd Overtone	80 Ω

FREQUENCY STABILITY v OPERATING TEMP.

OPERATING TEMPERATURE	FREQUENCY STABILITY (± ppm)		
	*Denotes Availability (Reference to 25°C)		
Range	30	50	100
0 ~ 50°C	*	*	*
0 ~ 70°C	*	*	*
-10 ~ 60°C		*	*
-20 ~ 70°C			*