

Power Inductors

Surface Mount

ADS7045A Series

ADS7045A

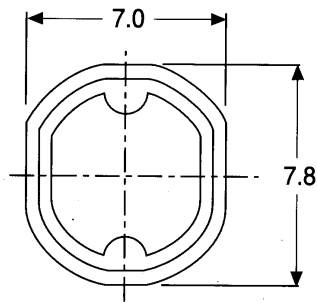


FEATURES

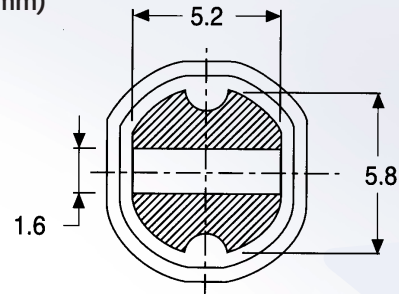
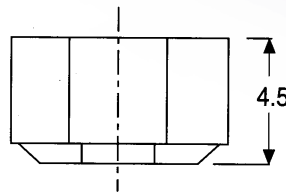
- Surface mountable device.
- Low Profile.
- Excellent performance & cost effective.
- Tape & Reel for auto-placement.
- Applicable for DC-DC converter.

BENEFITS

Frequency Range: 0.1 ~ 10 MHz
 Inductance Range: 10 ~ 470 μ H
 Operating Temperature Range: -40°C to +85°C
 Inductance measured by HP 4194A, impedance and gain phase analyzer
 Inductance Drop 10% at rated current



UNIT DIMENSION (unit: mm)
 tolerance : ± 0.2



STANDARD SPECIFICATIONS

PACKAGE TYPE	INDUCTANCE (μ H $\pm 20\%$)	DC RESISTANCE (Ω) max.	RATED CURRENT (A) max.
ADS7045A-103 □	10	0.06	1.40
ADS7045A-153 □	15	0.07	1.20
ADS7045A-223 □	22	0.10	1.00
ADS7045A-333 □	33	0.15	0.90
ADS7045A-473 □	47	0.24	0.75
ADS7045A-683 □	68	0.30	0.60
ADS7045A-104 □	100	0.4	0.50
ADS7045A-154 □	150	0.6	0.40
ADS7045A-224 □	220	0.8	0.32
ADS7045A-474 □	470	1.5	0.22

XTAL

OSC

VCXO
VCO

TCXO
VCTCXO

FLTR

RES

IND