

E1 LINE INTERFACE TRANSFORMER**P400X****Features**

- * Low Cost
- * Surface mount
- * 5.5mm seated height
- * Good pulse response
- * Wide operating temperature range
- * Automatic placement

Applications

- * E1 line interface
- * G.703 interfaces
- * Digital cross connect systems
- * SDH multiplexers
- * Level One LXT334
- * EXAR XRT5894

DESCRIPTION

The P400X family is intended for E1 (2.048Mbps) applications in combination with popular Level One and EXAR quad transceiver chipsets. Careful design has achieved an optimum balance of transformer parasitics to yield an excellent pulse response for E1 applications.

The P400X family transformers provide a low-profile surface mount package with pick and place cap, and are supplied in tape-and-reel form for automated assembly.

SPECIFICATIONS

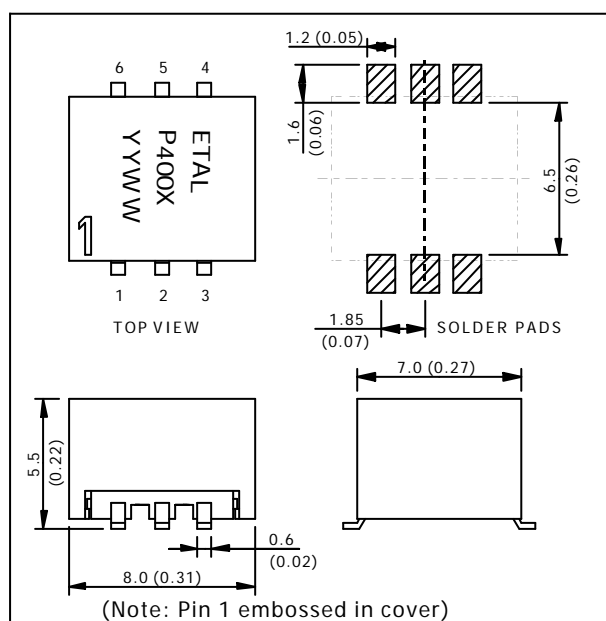
Electrical

Typical values at T = 25°C, unless otherwise stated.

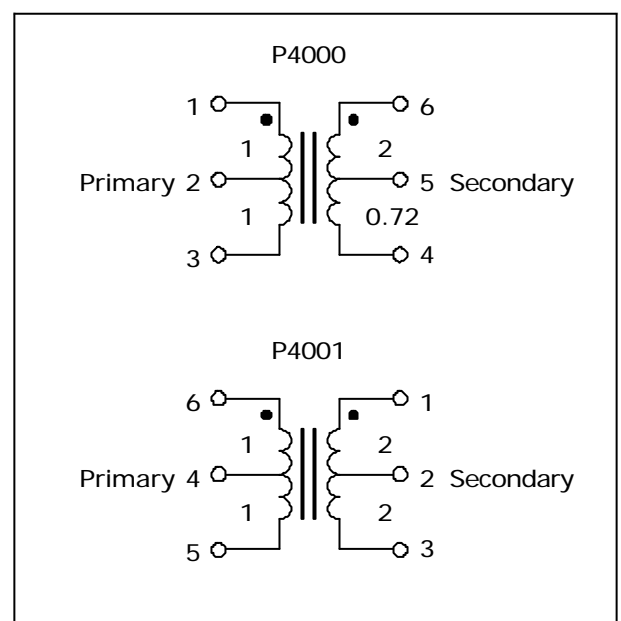
| Parameter | Conditions | P4000 | P4001 | Units |
|-------------------------------------|-----------------------------------|--------|-------|-------|
| Turns Ratio | (Pri : Sec) | 1:1.36 | 1:2 | - |
| Primary Inductance | 50kHz, 100mV | >2 | >2 | mH |
| Primary Inductance over temperature | -40°C ≤ T ≤ +85°C 50kHz, 100mV | >0.9 | >0.9 | mH |
| Leakage inductance | 2MHz, 100mV (Short secondary) | <0.7 | <1.0 | μH |
| Interwinding Capacitance | 2MHz, 100mV | <35 | <35 | pF |
| Primary DCR | | 1.8 | 2.1 | |
| Secondary DCR | | 2.5 | 4.2 | |
| Voltage Isolation | 5 seconds | 500 | 500 | Vrms |

Variants can be supplied with different turns ratios etc. to suit other chipsets.
Please contact Profec Technologies with your requirements.

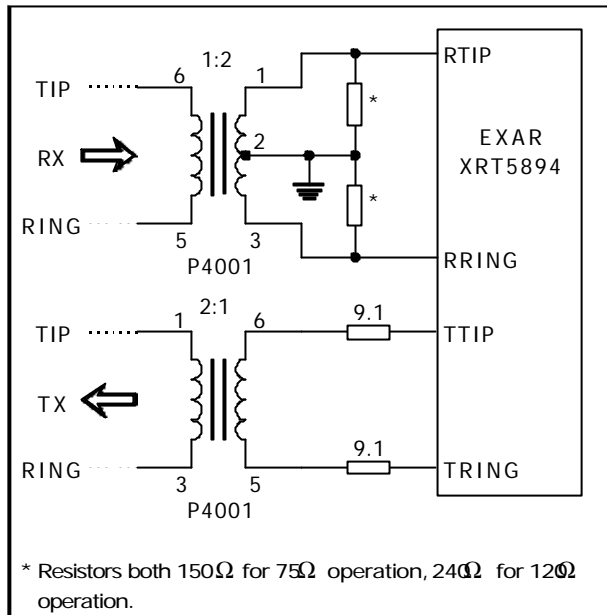
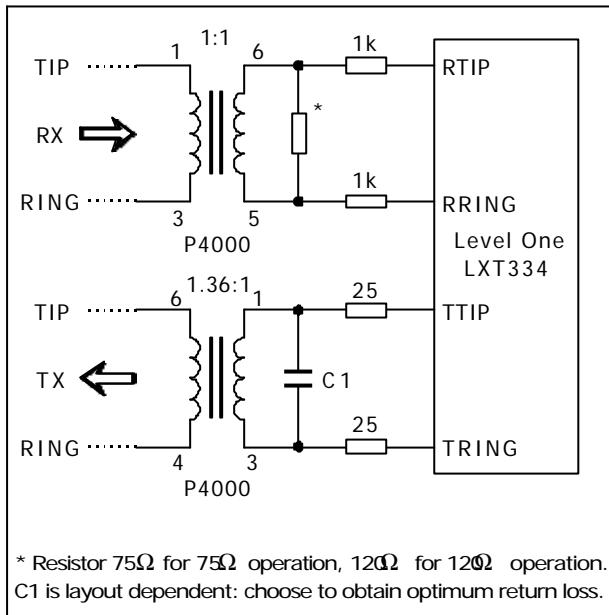
DIMENSIONS



CONNECTIONS



TYPICAL APPLICATIONS



ABSOLUTE MAXIMUM RATINGS

| | |
|-----------------------------------|----------------|
| Short term isolation voltage (5s) | 500Vrms, |
| Storage and operating temperature | -40°C to +85°C |
| Reflow / terminal temperature | 250°C |

COPYRIGHT

ETAL, P400X, P4000 and P4001 are Trade Marks of Profec Technologies Ltd.
The Trade Mark ETAL is registered at the UK Trade Marks Registry.

© 1999 Profec Technologies Ltd.
Reproduction prohibited.

PROFEC
TRANSFORMING THE FUTURE



ISO 9001
FM 25326

Profec Technologies Ltd., 10 Betts Avenue, Martlesham Heath, Ipswich, IP5 3RH, England
 Telephone: +44 (0) 1473 611422 Fax: +44 (0) 1473 611919
 Websites: www.etal.ltd.uk www.profec.com
 Email: info@etal.ltd.uk sales@profec.com