

# Quartz Part Numbering Guide

Surface Mount

ADXSM Series

|   |  |                     |   |                      |  |                      |                                  |              |
|---|--|---------------------|---|----------------------|--|----------------------|----------------------------------|--------------|
| <b>Package Type</b>                         | ADXSM-351<br>ADXSM-364<br>ADXSM-365                                | pg9<br>pg10<br>pg11 | ADXSM-463<br>ADXSM-481<br>ADXSM-571                                 | pg12<br>pg13<br>pg14 | ADXSM-572<br>ADX49SM<br>ADX49SSM                                   | pg15<br>pg16<br>pg16 | ADX49SMP<br>ADX49SMPI            | pg17<br>pg17 |
| <b>Frequency Tolerance @ 25°C</b>           | ±100ppm<br>±50ppm<br>±45ppm  | A<br>B<br>C         | ±40ppm<br>±35ppm<br>±30ppm  | D<br>E<br>F          | ±25ppm<br>±20ppm<br>±15ppm   | G<br>H<br>I          | ±10ppm<br>±5ppm                  | J<br>K       |
| <b>Frequency Stability Over Temperature</b> | ±100 ppm<br>±50 ppm<br>±45 ppm<br>±40 ppm                          | P<br>Q<br>R<br>S    | ±35 ppm<br>±30 ppm<br>±25 ppm<br>±20 ppm                            | T<br>U<br>V<br>W     | ±15 ppm<br>±10 ppm<br>±7.5 ppm<br>±5 ppm                           | X<br>Y<br>YY<br>Z    | ±4 ppm<br>±3 ppm                 | ZZ<br>ZY     |
| <b>Operating Temperature Range</b>          | 0°C to +70°C<br>-10°C to +60°C<br>-20°C to +70°C<br>-40°C to +75°C | 1<br>2<br>3<br>4    | -40°C to +85°C<br>-40°C to +90°C<br>0°C to +55°C<br>-40°C to +125°C | 5<br>6<br>7<br>8     | 0°C to +50°C<br>-10°C to +50°C<br>-10°C to +70°C<br>-30°C to +75°C | 9<br>10<br>11<br>12  | -30°C to +80°C<br>-35°C to +80°C | 13<br>14     |
| <b>Operating Mode</b>                       | Fundamental<br>3rd Overtone  | F<br>3              | 5th Overtone<br>7th Overtone  | 5<br>7               | 9th Overtone   | 9                    |                                  |              |
| <b>Load Capacitance</b>                     | 6 pF 6<br>10 pF 10<br>12 pF 12                                     |                     | 15 pF 15<br>16 pF 16<br>18 pF 18                                    |                      | 20 pF 20<br>22 pF 22<br>30 pF 30                                   |                      | 32 pF 32<br>50 pF 50<br>Series S |              |
| <b>Options</b>                              | Bulk<br>Blank  |                     | Insulator Tab   | I                    | Tape & Reel  | T                    |                                  |              |
| <b>Frequency</b>                            | MHz  | M                   | KHz   | K                    |  |                      |                                  |              |

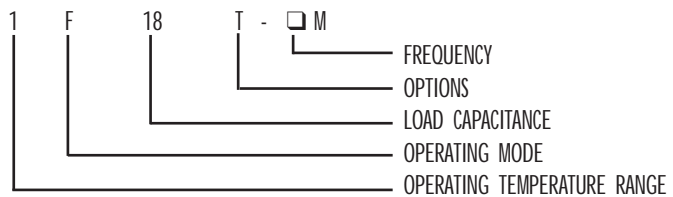
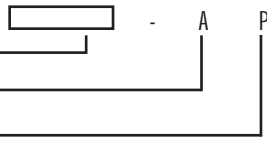
## EXAMPLE

PACKAGE TYPE

FREQUENCY TOLERANCE @ 25°C

FREQUENCY STABILITY

OVER TEMPERATURE



## Quartz

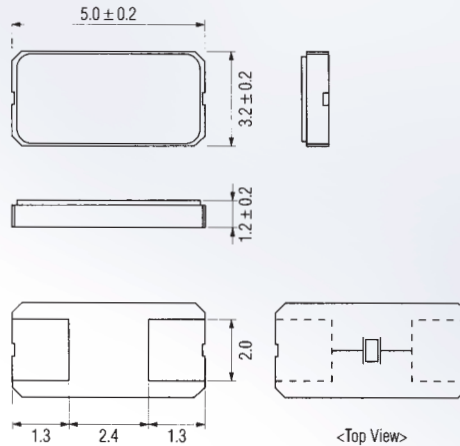
Surface Mount

ADXSM-350 Series (351)

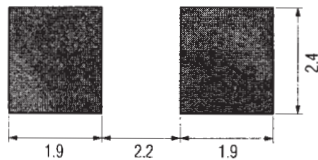
## ADXSM-351



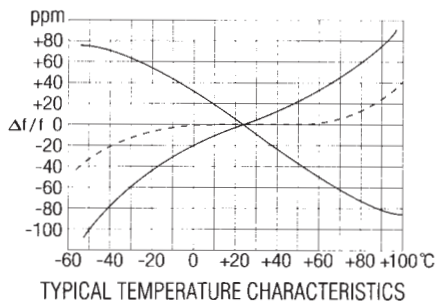
## UNIT DIMENSION (unit: mm)



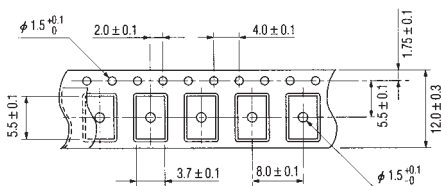
## SOLDERING PATTERN



## AT-CUT



## TAPE SPECIFICATIONS



1000pcs. per reel (178mm dia.)

## PACKAGE DATA

| Item / Package   | ADXSM-351        |
|------------------|------------------|
| LID              | Ceramic          |
| BASE             | Ceramic          |
| SEALING          | Glass-frit/Resin |
| TERMINAL PLATING | Gold             |

## STANDARD SPECIFICATIONS

| Package Type                     |       | ADXSM-351                          |
|----------------------------------|-------|------------------------------------|
| Frequency Range                  | F     | 14.300 MHz to 40.000 MHz           |
| Calibration Tolerance            |       | ±50 ppm at +25°C ±3°C              |
| Temperature Stability (at +25°C) |       | ±50 ppm over -10°C to +60°C        |
| Load Capacitance                 | Cl    | 16 pF                              |
| Shunt Capacitance                | Co    | 5 pF max.                          |
| Drive Level                      | P     | 100 μW max.                        |
| Aging                            | Δ f/F | ±5 ppm max. at +25°C ±3°C per year |
| Cut                              |       | AT-Cut                             |
| Reflow Soldering Condition       |       | 10 seconds max. at +235°C ±5°C     |

SEE PAGE 8 FOR PART NUMBERING GUIDE