

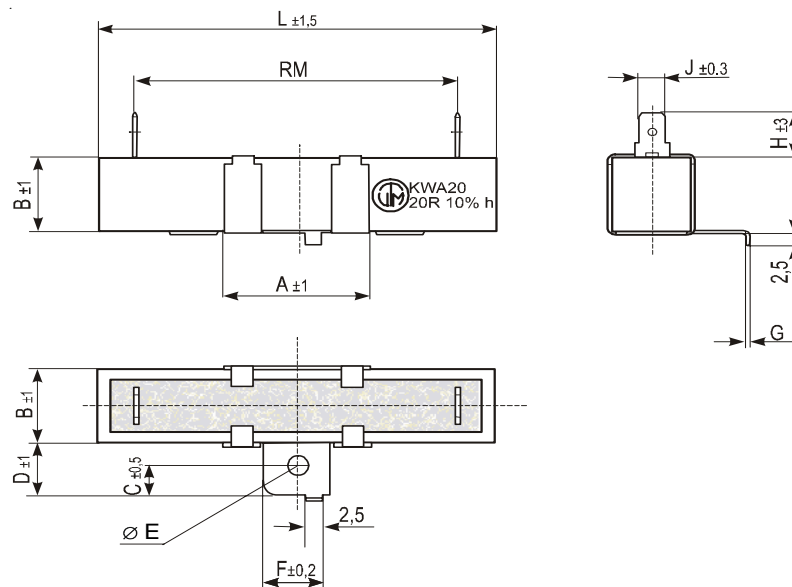
Power Wirewound Resistors,
ceramic case, AMP contacts



Specifications

Type		KWA 15	KWA 20	KWA 30	KWA 40
Style		1348	1364	1975	1990
Power rating P_{70}	W	15	20	30	40
Resistance range	Ω	0R51... 5K6	0R51...10K	0R62...10K	0R62...10K
E-Series			E 24		
Tolerances	%		± 5		
Temperature coefficient	$10^{-6} \cdot K^{-1}$		± 250		
max. cont. work. voltage	V_{RMS}		$\sqrt{P_{70} \cdot R}$		
Insulation voltage (1min.)	V_{RMS}		2000		
Insulation resistance	Ω		> 10M		
Derating linear	$^{\circ}C$		linear 70 ... 350 $^{\circ}C$ (0W)		
Climatic category			55/200/21		
Temperature range	$^{\circ}C$		- 55 ... 350		
Failure rate (Total, ϑ_o , max., 60% conf. lev.)	$10^{-9} \cdot h^{-1}$		ca. 100 depends on value		
Endurance (P_{70} , 70 $^{\circ}C$, 1000h)	$\left[\frac{\Delta R}{R}\right] \%$		$\pm 5,0$		
Damp heat, steady state (40 $^{\circ}C$, 93% r.h., 56d)	$\left[\frac{\Delta R}{R}\right] \%$		$\pm 5,0$		
Resistance to soldering heat (360 $^{\circ}C$, 3,5s)	$\left[\frac{\Delta R}{R}\right] \%$		$\pm 1,0$		
Solderability	s	2,5 Flowtime; solderglobule test IEC 60068-2-20-T			
Marking		Printed in clear			

Dimensions in mm



Type	L ±1,5	RM	B ±1	A ±1	C ±0,5	D ±1	E	F ±0,2	G	H ±0,3	J ±0,3
KWA15	48,0	34,0	13	25	6	12,5	4	12	0,6	9	4,8 *
KWA20	63,5	48,0	13	25	6	12,5	4	12	0,6	9	4,8 *
KWA30	75,0	56,0	19	40	8	18,0	4,2	18	0,8	12	6,4
KWA40	90,0	71,0	19	40	8	18,0	4,2	18	0,8	12	6,4

* Special AMP contacts 6,4 x 12 mm available types KWA15001 and KWA 20001

Type	Packaging	Pieces	Pack.-Code
KWA15	bulk	70	B
KWA20	bulk	60	B
KWA30	bulk	14	B
KWA40	bulk	14	B

Ordering example:

KWA40
Type5
ToleranceB
Pack.-Code3K6
R-Value

Revision 200807