

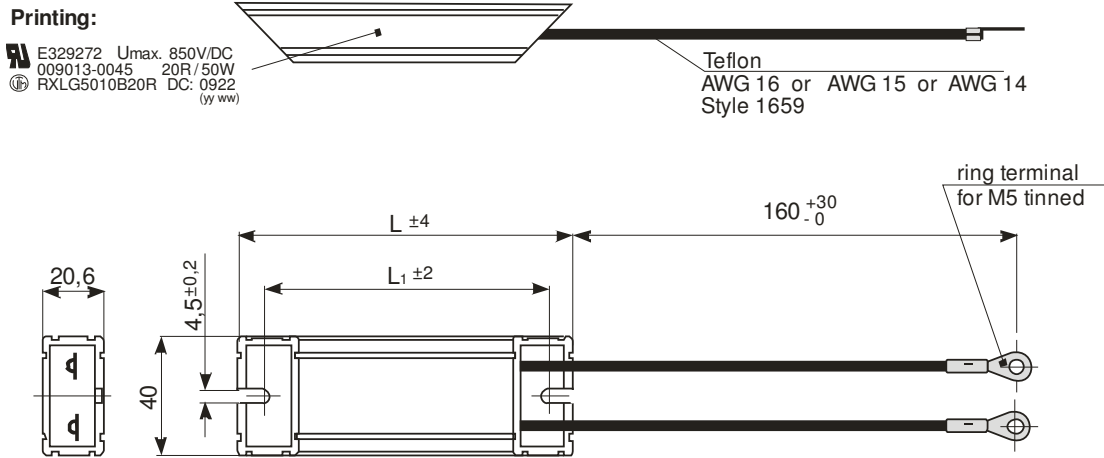
Wirewound Resistors, Aluminium Housed,
Chassis Mount

UL 508 approved , file - no. E 329272

Specifications

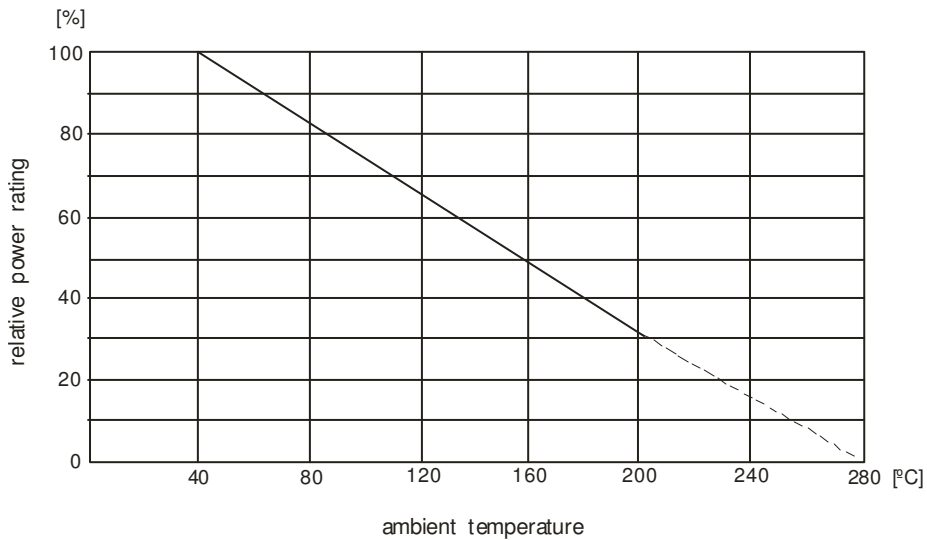
Type	RXLG	40	50	65
Nominal Power rating P ₄₀	W	40	50	65
Resistance range	R _{min}	Ω	0R5	
	R _{max}	Ω	200R	300R
Tolerances	%		5 (J) ; 10 (K)	
Temperature coefficient	10 ⁻⁶ ·K ⁻¹		± 260	
Max. working voltage	V _{RMS}		$\sqrt{P_{40} \cdot R}$	
Insulation voltage (1min.)	V _{RMS}		2000	
Insulation resistance	Ω		> 10M	
Derating linear	°C		See diagram	
Climatic category			55/300/56	
Temperature range	°C		-40 ... 300	
Failure rate (Total, φ, max, 60% cont. lev.)	10 ⁻⁹ h ⁻¹		appr. 10 depends on value	
Endurance (P ₂₅ 25°C, 1000)	[ΔR/R] %		± 5 average	
Damp heat, steady state (40°C, 93% r.h., 56d)	[ΔR/R] %		± 5	
Climatic sequence	[ΔR/R] %		± 2	
Terminal Tensile Strength	N		50	
Marking			Printed in clear	

Dimensions in mm:



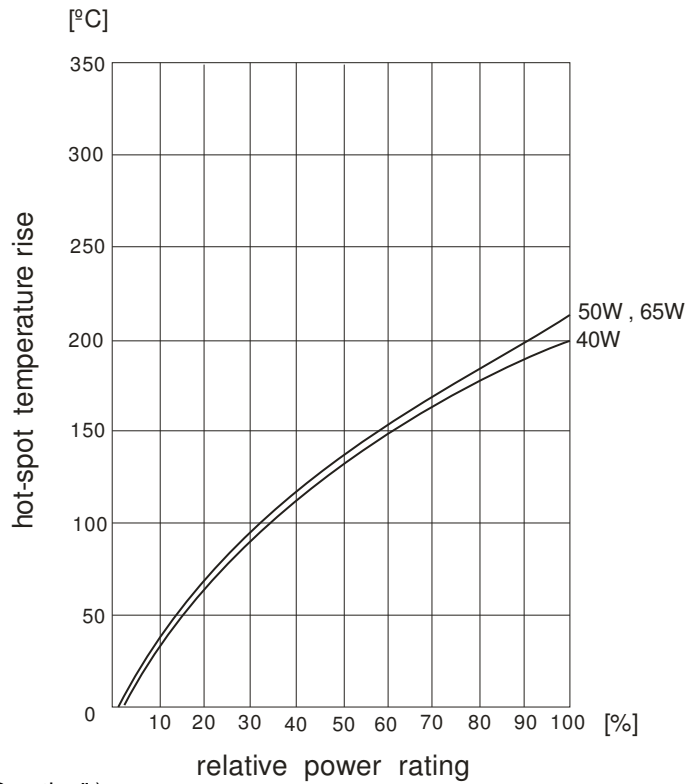
Type RXLG	40W	50W	65W
L	95	118	150
L1	84	100	139

Derating:

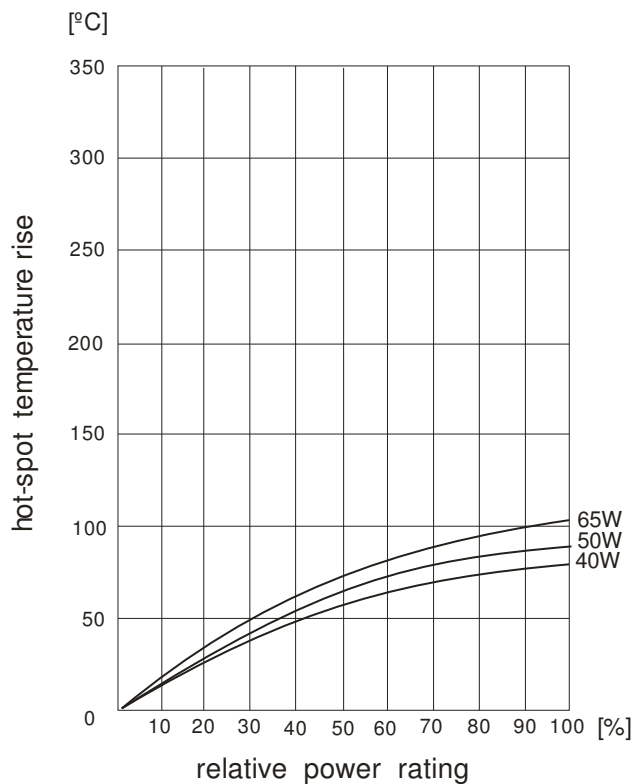


Note: heat – sink 200x200x3mm (40W ... 65W)

Temperature rise:
(without heat – sink)



Temperature rise:
(with heat – sink as defined under “Derating”)



Ordering example: RXLG 50 10 B 20R
 Type Size Tolerance Pack-Code R- value
 (Bulk)