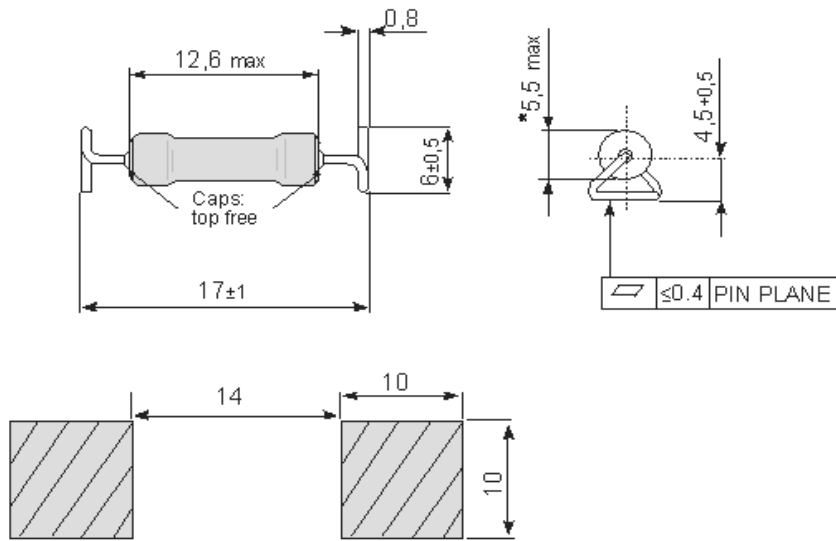


SMD Precision Power Wirewound Resistors
ceramic core, coated

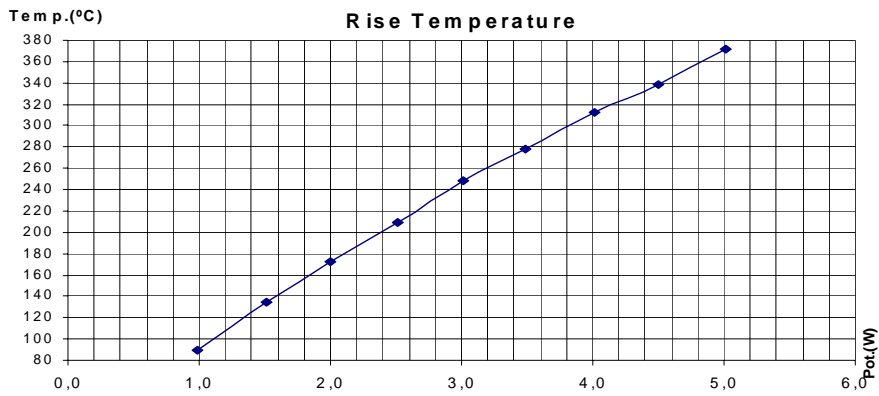
Specifications

Type		RZC6720 STANDARD VERSION	RZI6720 PULSE VERSION
Power rating P_{25} P_{40} P_{70}	W		2,2 2,0 1,6
Resistance range	Ω	0R01 ... 750R	R02 ... 240R
Tolerances	%		± 5 , ± 2 , ± 1
Temperature coefficient	$10^{-6} \cdot K^{-1}$	0 ± 20	100 ± 50
max. cont. work. voltage	V_{RMS}		$\sqrt{P_{70} \cdot R}$
Insulation voltage (1min.)	V_{RMS}		max 75V
Insulation resistance	W		not insulated
Derating linear	$^{\circ}C$		25 ... 200 (0W)
Climatic category	$^{\circ}C$		55/200/56
Temperature range	$^{\circ}C$		- 55 ... 200
Thermal resistance	KW^{-1}		112
Failure rate (Total, J_o , max., 60% conf. lev.)	$10^{-9} \cdot h^{-1}$		appr. 100 depends on value
Endurance (P_{70} , $70^{\circ}C$, 1000h)	$\left[\frac{\Delta R}{R}\right] \%$		$\pm 3,0$ average
Damp heat, steady state ($40^{\circ}C$, 93% r.h., 56d)	$\left[\frac{\Delta R}{R}\right] \%$		$\pm 1,0$
Climatic sequence (IEX 115-1/23)	$\left[\frac{\Delta R}{R}\right] \%$		$\pm 1,0$
Terminal strength	$\left[\frac{\Delta R}{R}\right] \%$		$\pm 0,2$
Terminal tensile strength	N		50
Resistance to soldering heat ($260^{\circ}C$, 3,5s)	$\left[\frac{\Delta R}{R}\right] \%$		$\pm 0,2$ typ.
Solderability	s	2,5 Flowtime; solderglobule test, IEC 60068-2-20-T	
Marking		Printed in clear	

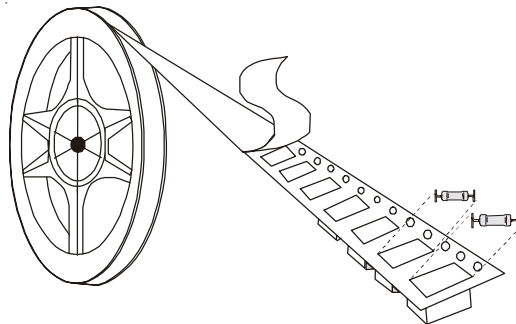
Dimensions in mm



*R ≤ 1R 5,5⁺¹



Packaging: Blister tape 24 mm antistatic / 900 pcs on reel 330 mm Ø



Ordering example: RZC6720 J K - 13 10R
 Type Tolerance blister tape reel TC reel diameter R-value